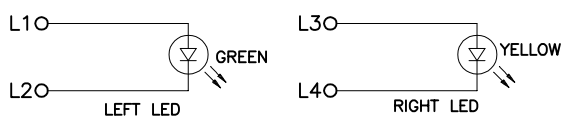
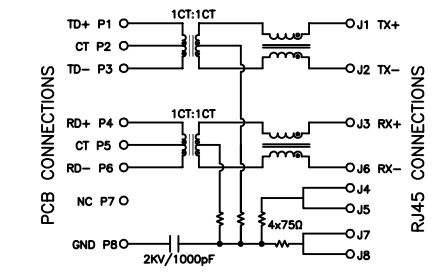
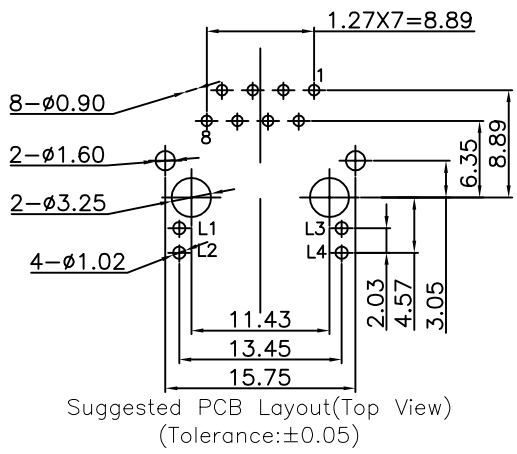
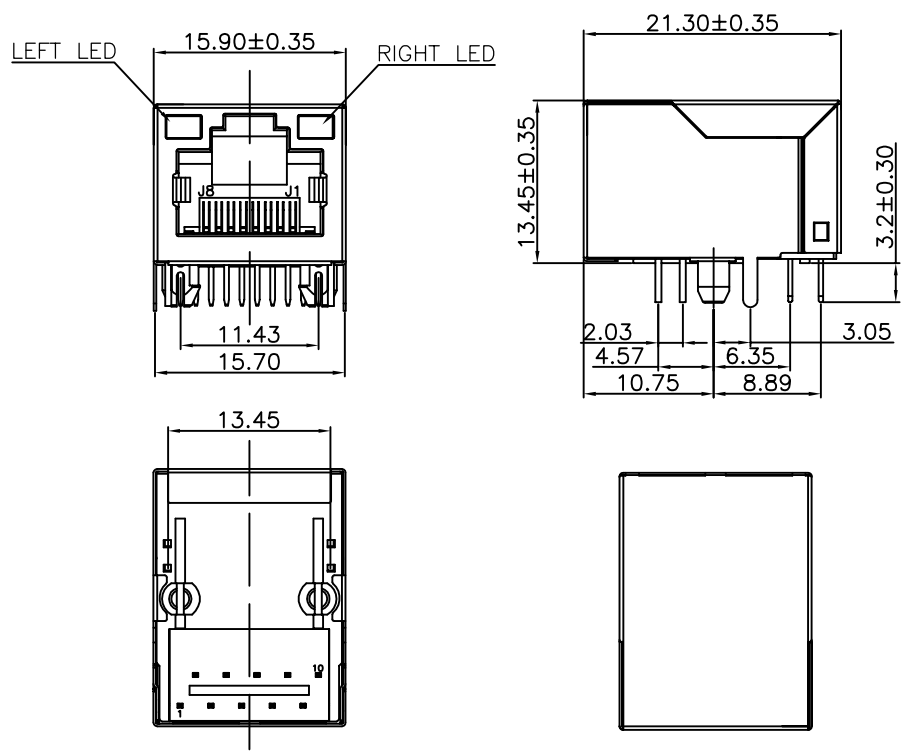


REV.	ECN.NO.	APPD.
A	XXXXXXXXXX	yangguifeng

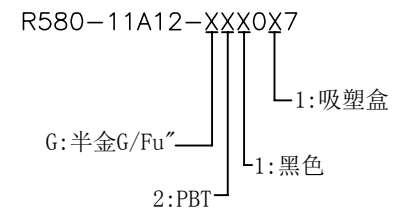


Emitting Color	$\lambda_p$ (nm)	$V_f$ @ $I_f=20\text{mA}$
Green	565	1.8-2.5V
YELLOW	585	1.8-2.5V

- Material:
  - Housing: PBT UL94V-0 Black.
  - Contact :Phosphor Bronze,Gold plated on contact area 6u".
  - Input Terminal : Brass.
  - Metal shielding:Copper alloy with Nickel plated.
- Environmental requirements:
  - Lead-free process,compliant RoHS.
- Electrical Specification @25°C:
  - Inductance: 350uH Min With 8mA DC bias.
  - Insertion loss :
 

1-100MHZ	-1dB max.
----------	-----------
  - Return loss :
 

1-30MHZ	-18dB min.
30-60MHZ	-16dB min.
60-80MHZ	-12dB min.
80-100MHZ	-10dB min.
  - Common Mode Rejection:1-100MHZ -30dB min.
  - Cross Talk:1-100MHZ -30dB min.
- Operating and Storage Temperature:
  - Operating Temperature : -40°C to +85°C.
  - Storage Temperature : -40°C to +85°C.
- Wave soldering peak temperature:260°C.



TOLERANCE UNLESS OTHERWISE SPECIFIED		FLW 深圳市华联威电子科技有限公司 HUA LIAN WEI TECHNOLOGY ELECTRONICS CO;LTD.			
.XXX ±0.10	.XX ±0.20	.X ±0.30	.X' ±3'	.XX' ±2'	
APPROVED		PART NAME:	RJ45 90度长体21.3带滤波器		
CHECKED		PART No:	R580-11A12-G21017		C
DRAWN	yangguifeng	PROJECTION:	UNIT:	SCALE	SHEET
DATE	2021.12.01		mm	1:1	1 OF 1
					REV. A