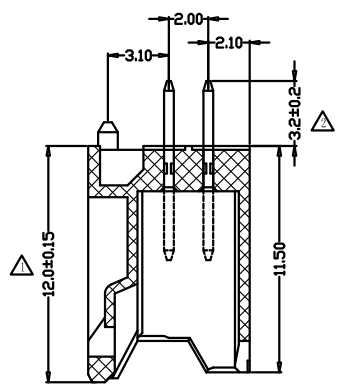
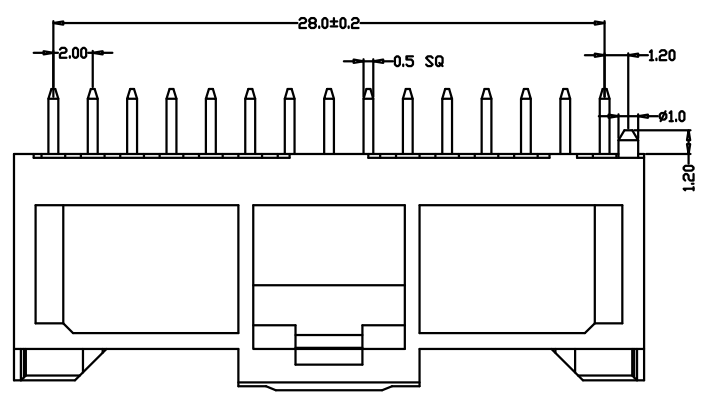
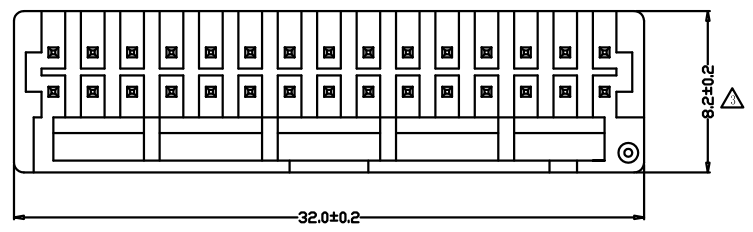


REV.	ECN.NO.	APPD.
A	/	ZFY



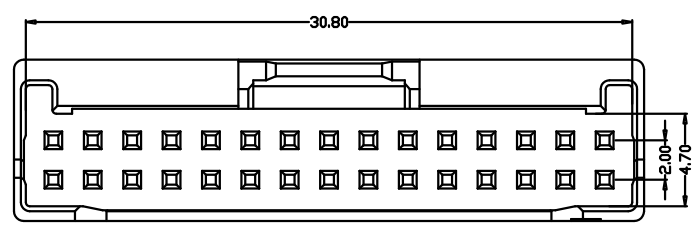
- 技术指标 (Technical Index) :
1. 工作温度 (Temperature range) : -25° C-85° C.
 2. 额定电压 (Rated voltage) : 250V DC/AC (rms)
 3. 额定电流 (Rated current) : 5A AC, DC
 4. 接触阻抗 (CONTACT Resistance) : $\leq 25M\Omega$
 5. 耐压值 (Withstanding voltage) : 1500V AC/minute
 6. 绝缘阻抗 (Insulation resistance) $\geq 1000M\Omega$

216104-1121-G33018

G: 镀半金G/Fu
 1: 盘装
 3: 米白色
 3: PA6T



P. C. B. LAYOUT



TOLERANCE UNLESS OTHERWISE SPECIFIED		FLW 深圳市华联威电子科技有限公司			
.XXX ±0.15 .XX ±0.20 .X ±0.30		HUA LIAN WEI TECHNOLOGY ELECTRONICS CO;LTD.			
.X' ±5° .XX' ±2°		PART NAME:	2.0间距 MOLEX Wafer 2*15P 直插		
APPROVED		PART No:	216104-1121-G33018	C	
CHECKED		PROJECTION:	UNIT:	SCALE:	SHEET:
DRAWED	ZhangFenYan	mm	1:1	10F1	REV. A
DATE	2018.10.10				