

REV.	ECN.NO.	APPD.
A	/	ZFY

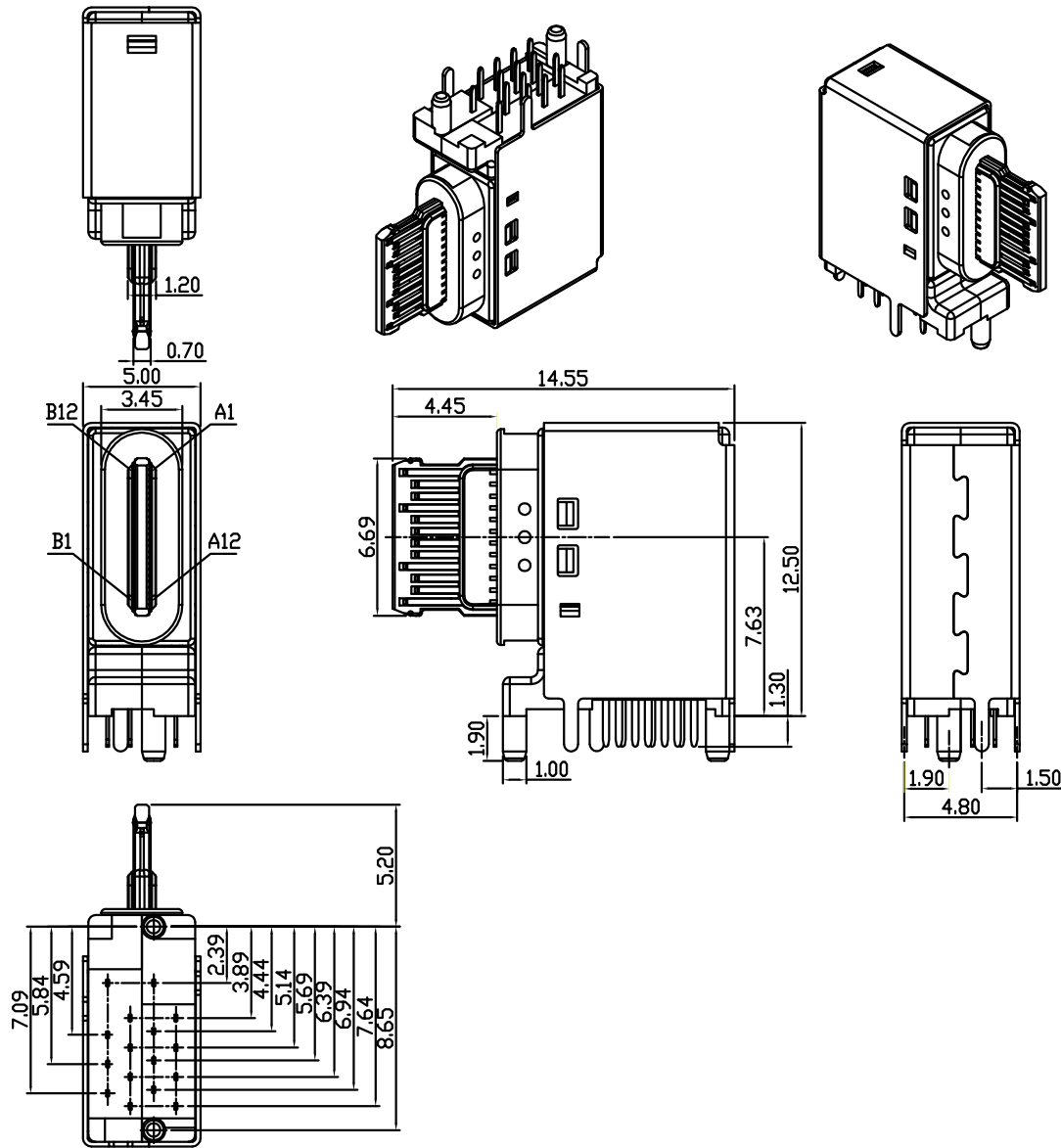
NOTES:

1.MATERIAL:

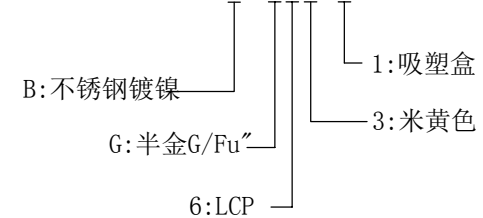
- 1.1 Housing:thermoplastic plastics
- 1.2 terminals:Copper Alloy
Gold plated in contact area:
Tin plated in termination
Nickel Plated overall
- 1.3 Shell:Steel&Copper Alloy
Nickel/Au Plated overall

2.characteristics:

- 2.1 Rating Voltage : 30V AC.
 - 2.2 Rating Current:
5A for Vbus PIN;1.25A for Vconn PIN
 - 2.3 Contact Resistance:40 mΩ MAX.
 - 2.4 Insulation Resistance:100 MΩ MIN.
 - 2.5 Withstanding Voltage:AC 100V
 - 2.6 Mating force: 5~20N MAX
 - 2.7 Extraction force:8~20N Min
 - 2.8 Life test:10000Cycles MIN.
 - 2.9 Temperature Range: -30℃~+80℃.
- The product must be compliance ROHS



U573-2215-G63018



TOLERANCE UNLESS OTHERWISE SPECIFIED		FLW 深圳市华联威电子科技有限公司 HUA LIAN WEI TECHNOLOGY ELECTRONICS CO.;LTD.				
.XXX ±0.15	.XX ±0.20	.X ±0.30	.X' ±5'	.XX' ±2'		
APPROVED		PART NAME:	USB TYPE C 侧插母座			
CHECKED		PART No:	U573-2215-G63018	C		
DRAWN	Shen	PROJECTION:	UNIT:	SCALE	SHEET	REV.
DATE	2021.09.01		mm	1:1	10F1	A