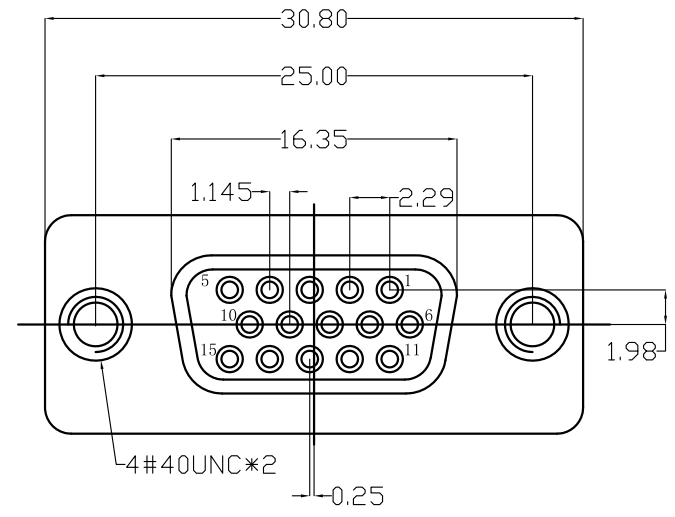


REV.	ECN.NO.	APPD.
A	EXXXXXXXXXXX	chenyiting

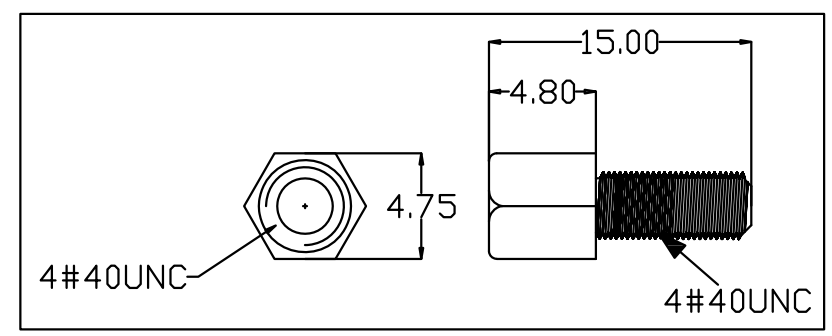
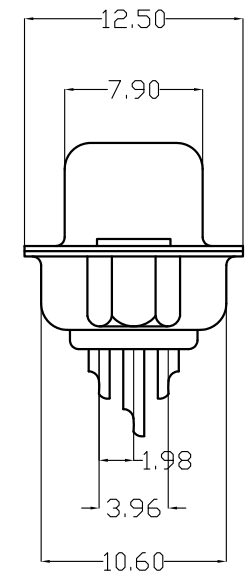
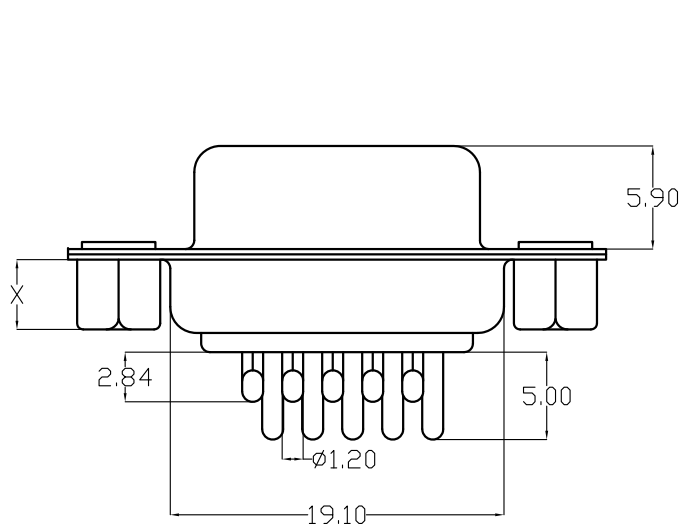


螺母规格		
零件编号	A尺寸	内牙
A		
4	4.0	4#40
6	5.8	4#40

1.SPECIFICATION

- 2.1 Current Rate:5 Amps
- 2.2 Insulator Resistance:1000MΩ Min.
- 2.3 Dielectric Strength:500V AC PER MIN
- 2.4 Operation Temperature:-55℃~+105℃
- 2.5 Contact Resistance:30mΩ Max

DS422-0100-42HR
 4:端子镀亮锡
 H:蓝色
 2:PBT



TOLERANCE UNLESS OTHERWISE SPECIFIED		FLW 深圳市华联威电子科技有限公司			
		HUA LIAN WEI TECHNOLOGY ELECTRONICS CO;LTD.			
.XXX ±0.10	.X' ±3'	PART NAME:		D-SUB 180度 15母焊线 传统后铆空心螺带螺丝15mm	
.XX ±0.20	.XX' ±2'	APPROVED		PART No:	DS422-0100-42HR
.X ±0.30		CHECKED		PROJECTION:	C
		DRAWN	chenyiting	UNIT:	mm
		DATE	2023.06.06	SCALE:	1:1
				SHEET:	10F1
				REV.:	A