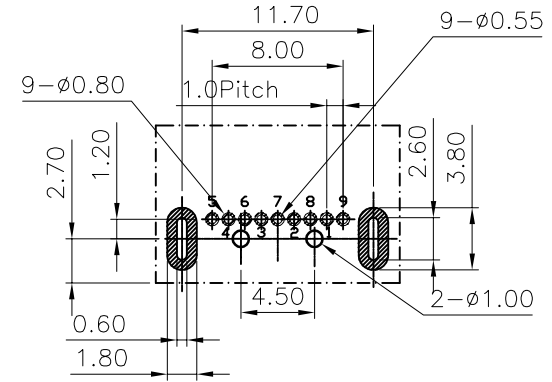
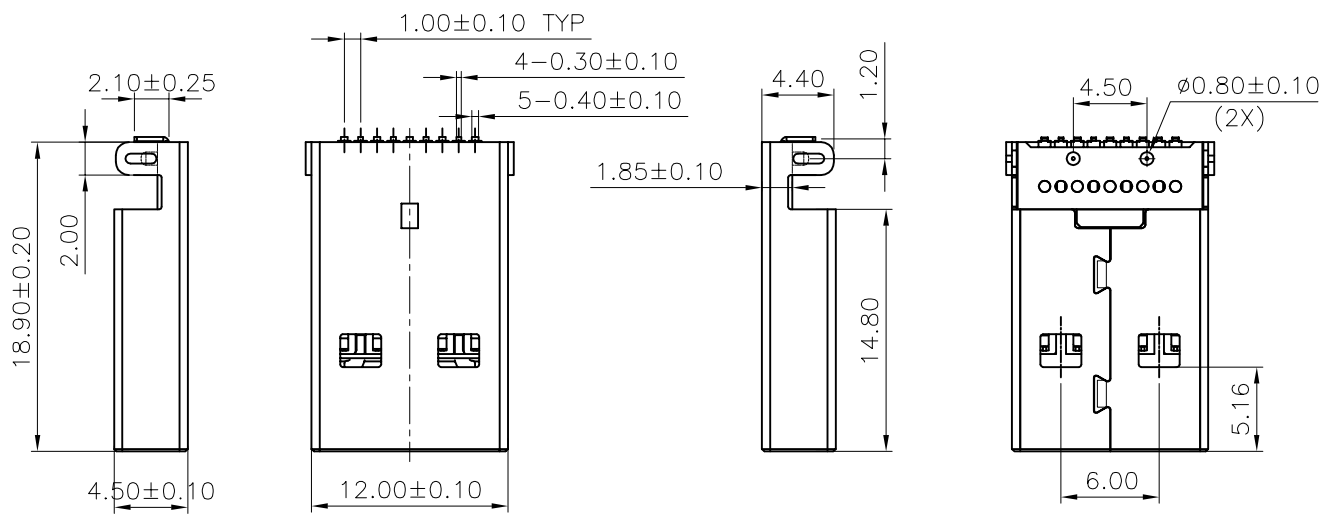


REV.	ECN.NO.	APPD.
A0	/	/

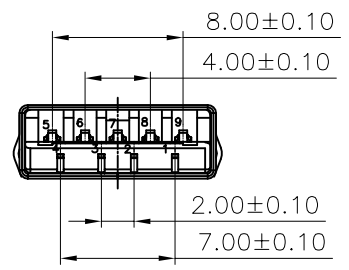


REFERENCE PCB LAYOUT

SPECIFICATIONS:
Contact current Rating:
 1.8 Amperes for pin1&pin4.
 0.25 Amperes other contacts
Dielectric Withstanding Voltage:AC 100V(RMS)
Insulation resistance:100Megohms Minimum.
Contact Resistance:
 30mΩ Max for pin1&pin4
 50mΩMax for other contacts
Mechanical Characteristics:
Mating Force:35 Newtons.Maximum
Unmating Force:10 Newtons.Minimum.
MATERIAL: BN Min After Durability
Housing: LCP+30%GF 94V-0 COLOR:BLUE
Contact: copper alloy(T=0.25mm)
Shell: SPCC
PLATING:
Contact: Au Plated on contact area
Tin Plated on solder area
Nickel underplating over all
Shell: Nickel Plated
operating Temperature:-55°to+85°



- U318-0721-XXX0X8
- G: 半金G/Fu"
 - 1: 半金1u"
 - 3: 半金3u"
 - 5: 半金5u"
 - 8: 半金15u"
 - 9: 镀全金1u"
- 1: 吸塑盒
 - 3: 载带冷封
 - 8: 载带热封
- 1: 黑色
 - E: 蓝色300C-3
 - 7: 蓝色300C



TOLERANCE UNLESS OTHERWISE SPECIFIED	
.XXX ±0.10	.X' ±3'
.XX ±0.20	.XX' ±2'
.X ±0.30	

FLW 深圳市华联威电子科技有限公司
 HUA LIAN WEI TECHNOLOGY ELECTRONICS CO;LTD.

APPROVED		PART NAME:	USB 3.0AM 90度 H款			
CHECKED		PART No:	U318-0721-X67018		C	
DRAWN	weihong	PROJECTION:	UNIT:	SCALE	SHEET	REV.
DATE	2021.07.29		mm	1:1	10F1	A0