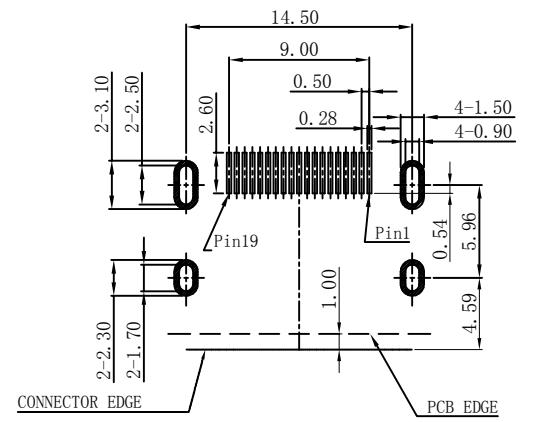
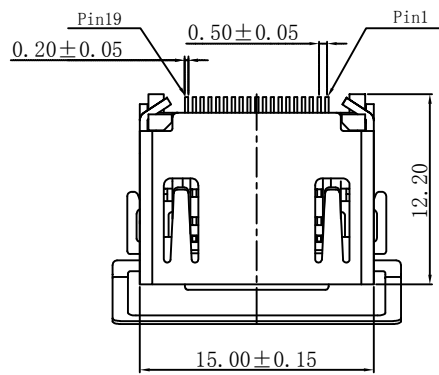
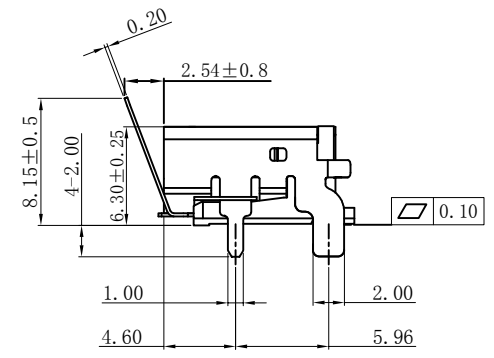
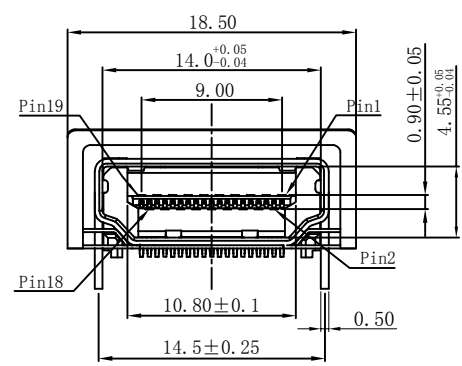


REV.	ECN. NO.	APPD.
A	/	/



RECOMMENDED PCB LAYOUT (TOP VIEW)

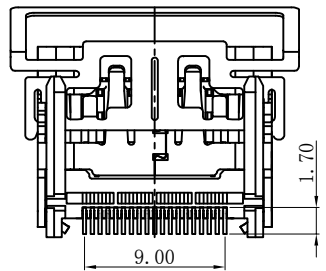
TOLERANCE: ±0.05mm



NOTES:

- MATERIAL:
  - Housing: thermoplastic plastics
  - terminals: Copper Alloy  
Gold plated in contact area:  
Tin plated in termination  
Nickel Plated overall
  - Shell: Steel & Copper Alloy  
Nickel/Au Plated overall
- ELECTRICAL CHARACTERISTICS:
  - Rating Current : 0.5 Ampere
  - Rating Voltage : 40 V Max
  - Contact Resistance: 30 Milli ohms
  - Insulation Resistance: 100 Mega ohms Min.
- MECHANICAL CHARACTERISTICS:
  - Connector Mating force: 4.5kg MAX
  - Connector Unmating force: 1.0Kg min
  - Durability: 10000 Cycles.
- ENVIRONMENT CHARACTERISTICS:
  - Operating temperature: -20°C to +85°C
  - Storage temperature: -20°C to +65°C

HD22-132X-XXX0X8  
 1: 铁壳镀镍  
 G: 半金G/Fu  
 1: 吸塑盒  
 1: 黑色  
 6: LCP



TOLERANCE UNLESS OTHERWISE SPECIFIED		<b>FLW</b> 深圳市华联威电子科技有限公司					
		HUA LIAN WEI TECHNOLOGY ELECTRONICS CO;LTD.					
.XXX ±0.10	.X° ±3°	APPROVED	PART NAME:	HDMI SMT 四直脚四正反弹片			
.XX ±0.20	.XX° ±2°	CHECKED	PART No:	HD22-1321-G61018			C
.X ±0.30		DRAWN	weihong	PROJECTION:	UNIT:	SCALE	SHEET
		DATE	2021. 11. 06		mm	1:1	10F1
							REV.
							A

F  
E  
D  
C  
B  
A

9 8 7 6 5 4 3 2 1