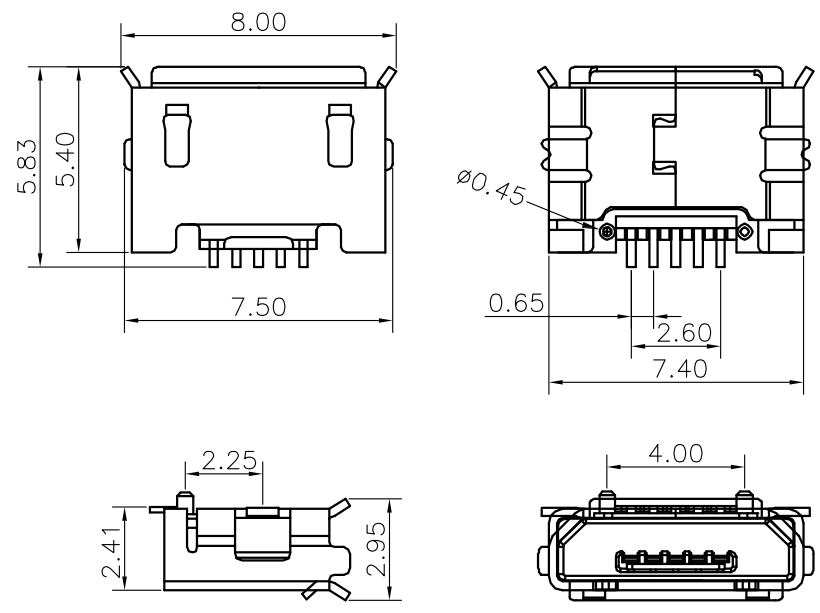


REV.	ECN.NO.	APPD.
A	XXXXXXXXXX	chenyiting



- NOTES:
- MATERIAL:
    - Housing: thermoplastic plastics,
    - terminals: Copper Alloy  
Gold plated overall
    - Shell: Steel & Copper Alloy  
Nickel/Tin Plated overall
  - ELECTRICAL CHARACTERISTICS:
    - Rating Current :1.5 Ampere
    - Rating Voltage :30 V Max
    - Contact Resistance:50 Milli ohms
    - Insulation Resistance:100 Mega ohms Min.
  - MECHANICAL CHARACTERISTICS:
    - Connector Mating force: 35N MAX
    - Connector Unmating force:7N min
  - ENVIRONMENT CHARACTERISTICS:
    - Operating temperature:-0°C to +50°C
    - Storage temperature:-20°C to +60°C

U444-913A-G61038

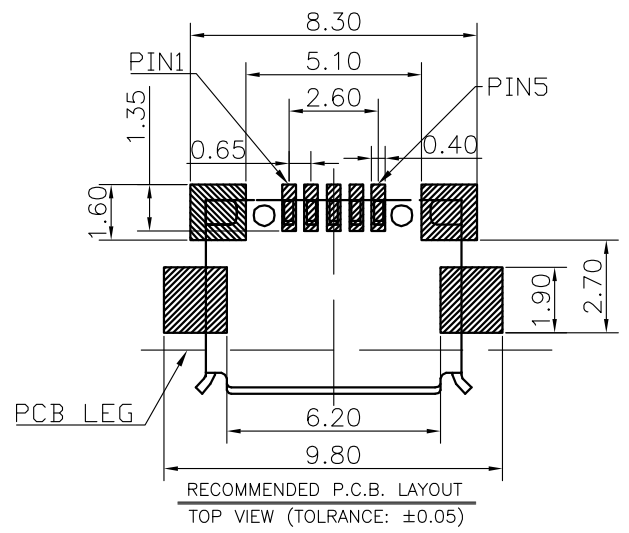
A: 不锈钢镀雾锡

G: 半金G/Fu

6: LCP

3: 载带

1: 黑色



TOLERANCE UNLESS OTHERWISE SPECIFIED		<b>FLW</b> 深圳市华联威电子科技有限公司				
.XXX ±0.10		HUA LIAN WEI TECHNOLOGY ELECTRONICS CO;LTD.				
.XX ±0.20		.X ±3'				
.X ±0.30		.XX ±2'				
APPROVED		PART NAME:	MICRO 5P全贴片短体5.4有柱			
CHECKED		PART No:	U444-913A-G61038	C		
DRAWN	chenyiting	PROJECTION:	UNIT:	SCALE	SHEET	REV.
DATE	2022.04.13		mm	1:1	1 OF 1	A