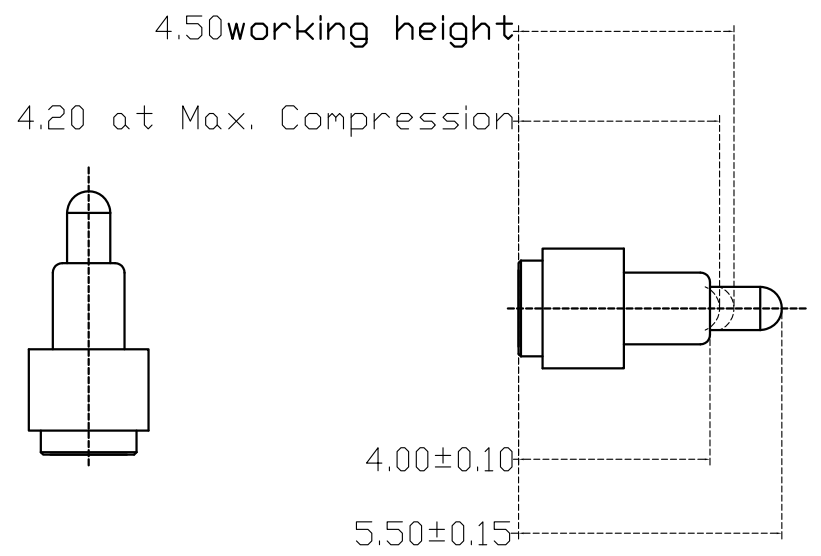
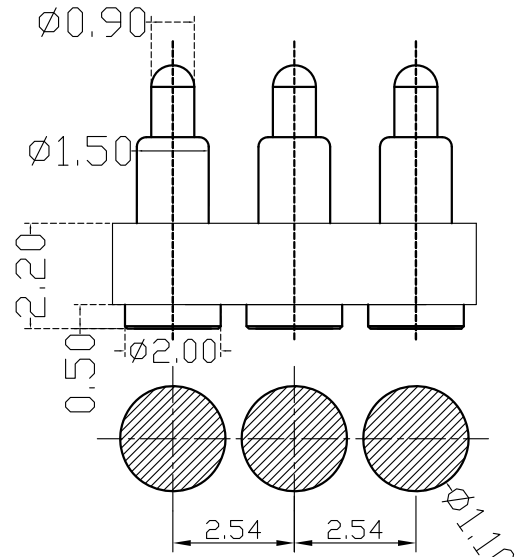
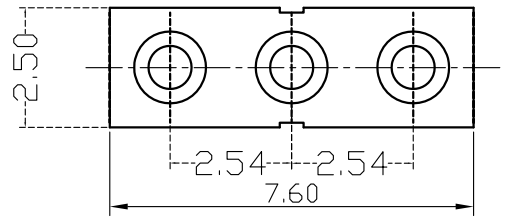
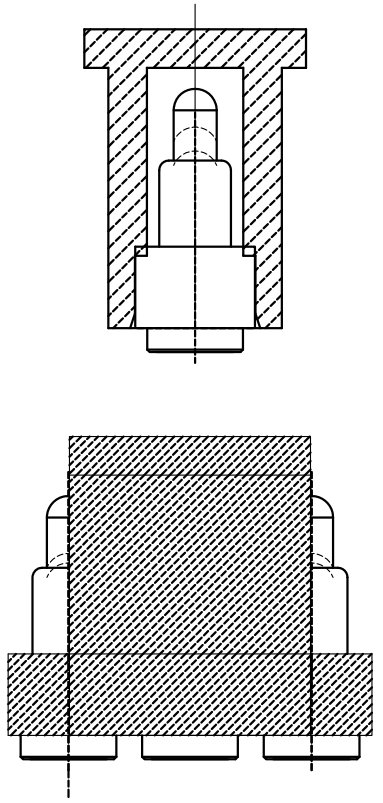


REV.	ECN.NO.	APPD.
A	/	ZFY



304206-0070-198
 1:半金1u" 9:PA9T黑色

NOTE

- Material**
 Plunger: Brass 3604
 Barrel: Brass 3604
 Spring: SUS304
 Housing: PA46
- Plating**
 Plunger: 2 micro-inch minimum Au over 50 micro-inch nickel
 Barrel: 2 micro-inch minimum Au over 50 micro-inch nickel
- Electrical**
 Rated current & voltage: DC 12V; 1.0A Max.
 Contact resistance: 50 mohm maximum at normal working height(quiescence)
- Mechanical**
 Spring force: 120g±20g at normal working height (travel 1.0mm)
 Durability: 10,000 cycles(minimum)
- To ensure the best usage, please operate it based on the working height
 Based on the engineering drawings, shall not exceed the maximum allowed compression
- To avoid arcing issue, The adaptor start to power supply after connector mated fully.
- RoHS compliant product.
- SALT SPRAY: 24H

RECOMMEND PCB LAYOUT
 Layout Tolerance: ± 0.05mm

TOLERANCE UNLESS OTHERWISE SPECIFIED		HLW 深圳市华联威电子科技有限公司			
.XXX ±0.15 .XX ±0.20 .X ±0.30		.X* ±5° .XX* ±2°		HUA LIAN WEI TECHNOLOGY ELECTRONICS CO;LTD.	
APPROVED		PART NAME:	双头探针6PIN 大电流		
CHECKED		PART No:	304206-0070-XX8	C	
DRAWN	ZhangFenYan	PROJECTION:	UNIT:	SCALE	SHEET
DATE	2018.10.10		mm	1:1	10F1
					REV. A