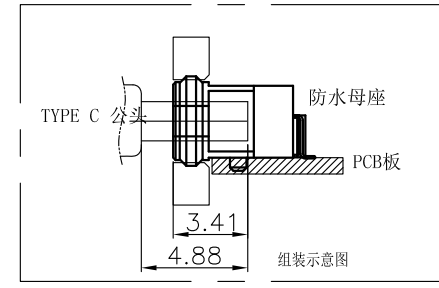


REV.	ECN.NO.	APPD.
A	EXXXXXXXXXX	yangguifeng

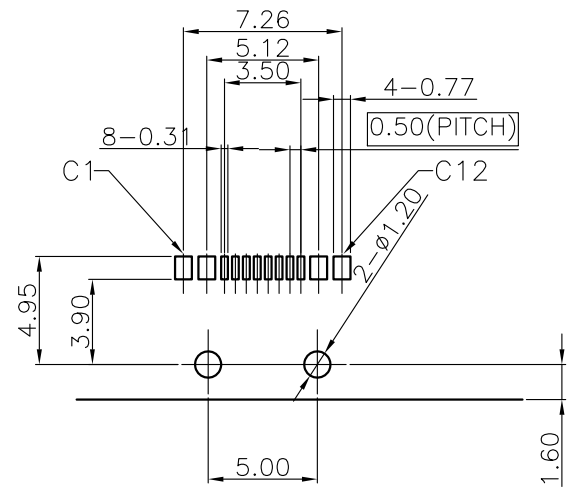
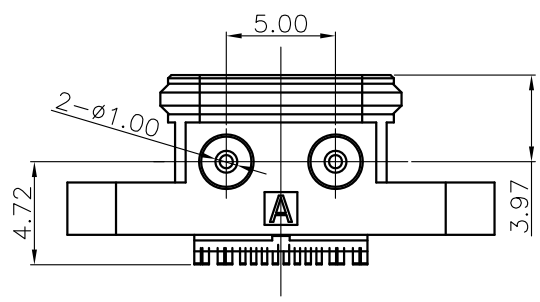
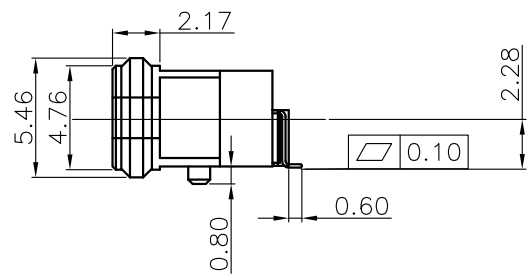
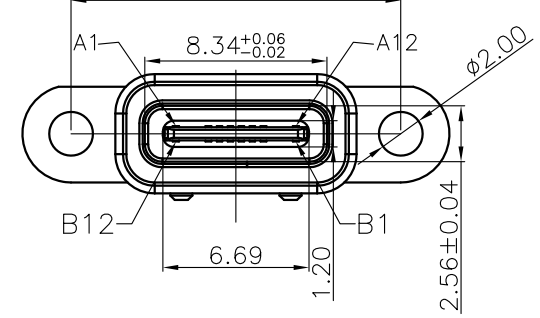
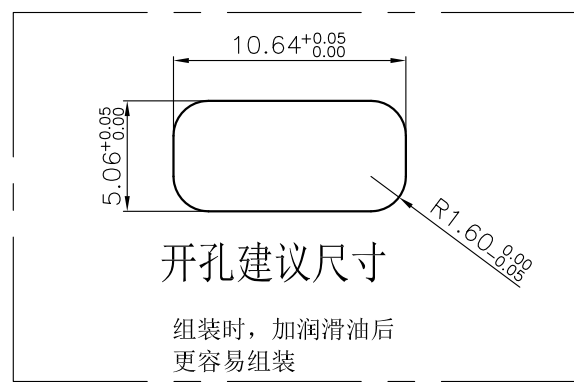
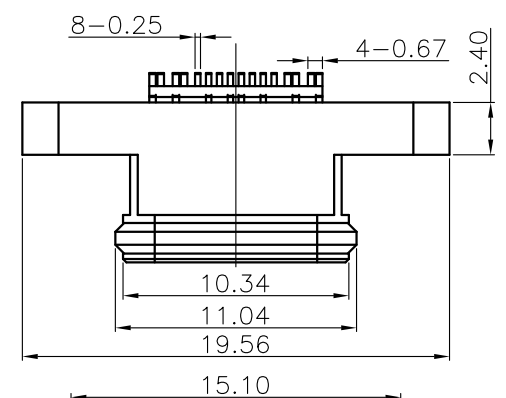


- NOTES:
- MATERIAL:
    - Housing:thermoplastic plastics
    - terminals:Copper Alloy  
Gold plated in contact area:  
Tin plated in termination  
Nickel Plated overall
    - Shell:Steel&Copper Alloy  
Nickel/Au Plated overall
  - characteristics:
    - Rating Voltage : 30V AC.
    - Rating Current:  
5A for Vbus PIN;1.25A for Vconn PIN
    - Contact Resistance:40 mΩ MAX.
    - Insulation Resistance:100 MΩ MIN.
    - Withstanding Voltage:AC 100V
    - Mating force: 5~20N MAX
    - Extraction force:8~20N Min
    - Life test:10000Cycles MIN.
    - Temperature Range: -30℃~+80℃.
- The product must be compliance ROHS

U572-A14B-G31038

B: 不锈钢镀镍  
G: 半金/Fu  
3: PA46

3: 载带  
1: 黑色



INTERFACE(FRONT VIEW)

A1	A2	A3	A4	A5	A6	A7	A8	A9	A10	A11	A12
GND			VBUS	CC1	DP1	DN1	SBU1	VBUS			GND
GND			VBUS	SBU2	DN2	DP2	CC2	VBUS			GND
B12	B11	B10	B9	B8	B7	B6	B5	B4	B3	B2	B1

RECOMMENDED PCB LAYOUT(TOP VIEW)

THICKNESS T=1.0mm  
DEFAULT TOLERANCE+/-0.05

PIN ASSIGNMENT

PIN NO.	A1&B12	A4&B9	B8	A5	B7	A6	A7	B6	A8	B5	A9&B4	A12&B1
SINGAL NAME	GND	VBUS	SBU2	CC1	DN2	DP1	DN1	DP2	SBU1	CC2	VBUS	GND
PCB PAD NO.	C1	C2	C3	C4	C5	C6	C7	C8	C9	C10	C11	C12

TOLERANCE UNLESS OTHERWISE SPECIFIED		<b>FLW</b> 深圳市华联威电子科技有限公司			
.XXX ±0.10 .XX ±0.20 .X ±0.30		.X ±3' .XX ±2'		HUA LIAN WEI TECHNOLOGY ELECTRONICS CO;LTD.	
APPROVED		PART NAME:	TYPE C 16P SMT带耳有柱1.0		
CHECKED		PART No:	U572-A14B-G31038	C	
DRAWN	yangguifeng	PROJECTION:	UNIT:	SCALE	SHEET
DATE	2021.12.01		mm	1:1	1 OF 1
					REV. A