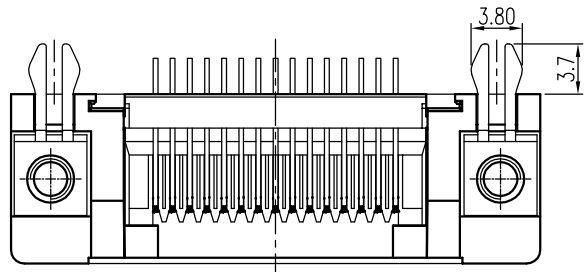
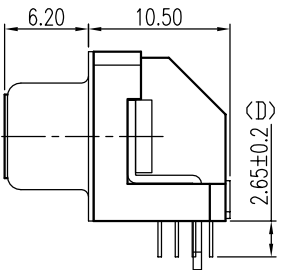
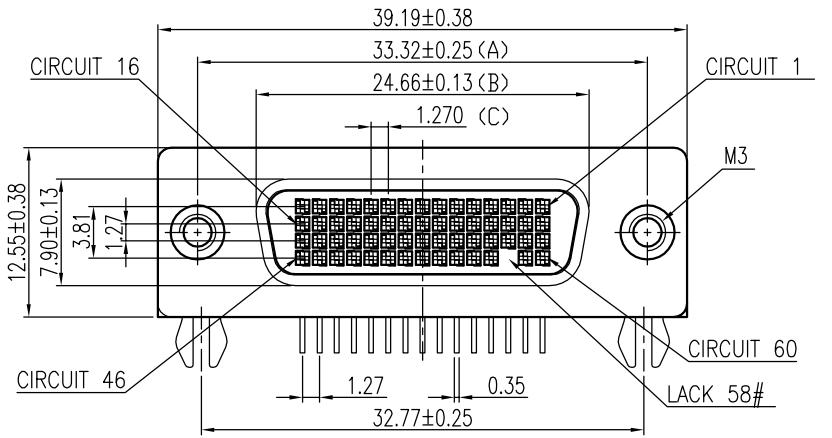


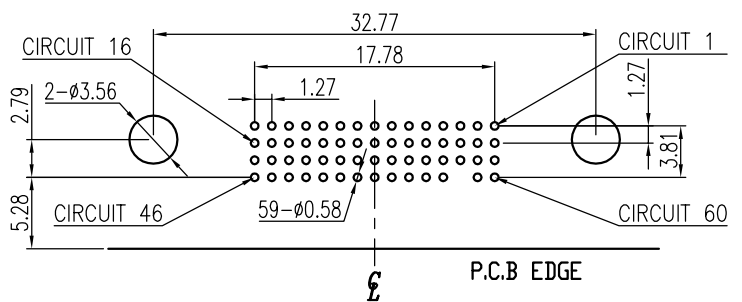
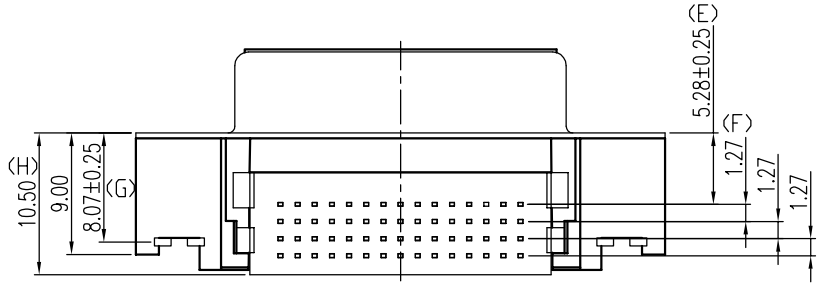
REV.	ECN.NO.	APPD.
A	EXXXXXXXXXX	yangguifeng

1.SPECIFICATION

- 2.1 Current Rate:5 Amps
- 2.2 Insulator Resistance:100Ω Min.
- 2.3 Dielectric Strength:500V AC PER MIN
- 2.4 Operation Temperature:°55C~+105C
- 2.5 Contact Resistance:3Ω Max



- DS615-0231-2638
- 1:铁壳镀镍
 - 2:全金2u"
 - 3:米黄色
 - 6:LCP



RECOMMENDED P.C.B LAYOUT
INSPECTION DIMENSION:(A)~(H)

TOLERANCE UNLESS OTHERWISE SPECIFIED		HLW 深圳市华联威电子科技有限公司				
.XXX ±0.10	.X' ±3'	HUA LIAN WEI TECHNOLOGY ELECTRONICS CO;LTD.				
.XX ±0.20	.XX' ±2'					
.X ±0.30		APPROVED				
		CHECKED	PART NAME:	DMS 59母铆合卧贴		
		DRAWN	PART No:	DS615-0231-2638		
		DATE	PROJECTION:	UNIT:	SCALE	SHEET
		2021.12.01	mm	1:1	1 OF 1	REV. A