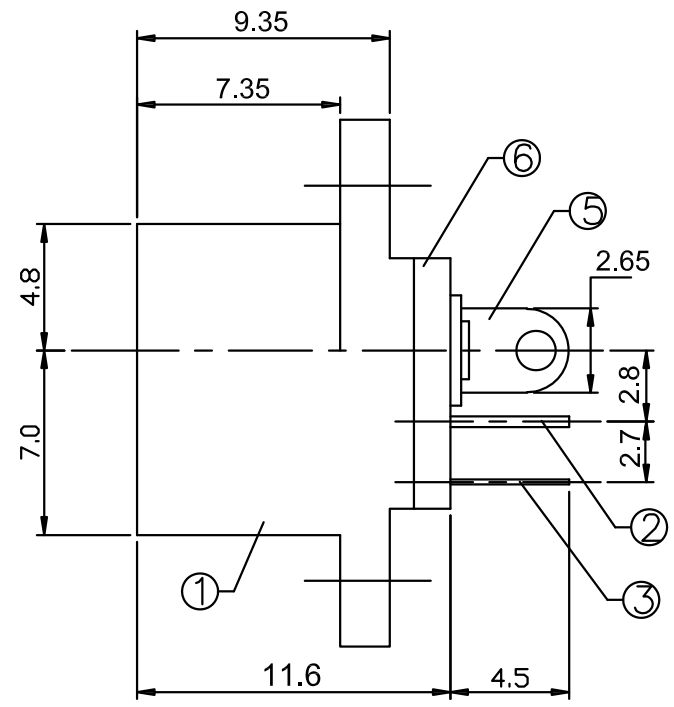
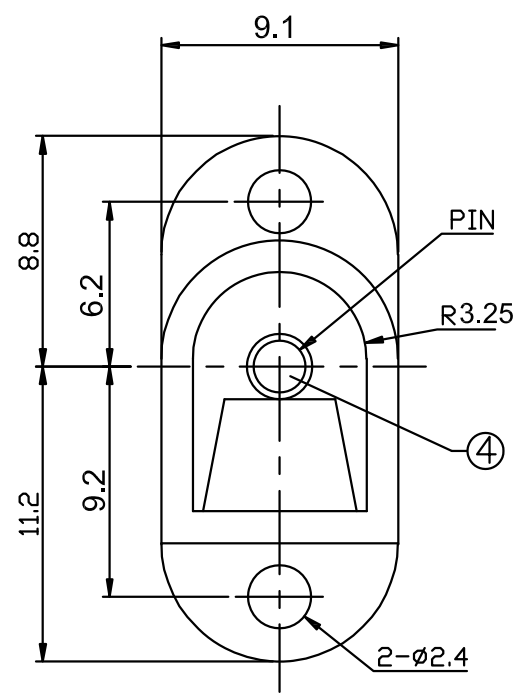
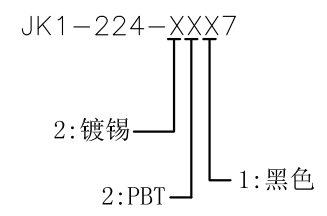


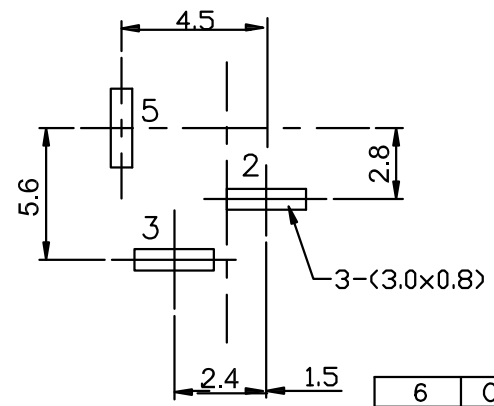
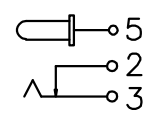
REV.	ECN.NO.	APPD.
A	XXXXXXXXXX	yangguifeng



- 1.CURRENT RATING : 1.0 AMP. MAX.
- 2.DIELECTRIC WITHSTANDING : AC 500V/min R.M.S.
- 3.INSULATION RESISTANCE : 100MΩ min. AT 100V DC.
- 4.CONTACT RESISTANCE : 50mΩ MAX.
- 5.OPERATING TEMPERATURE : -25°C TO +85°C.
- 6.DURABILITY : 1500 CYCLES.
- 7.MATING FORCE : 3kgs MAX
- 8.UNMATING FORCE :0.3~3.0kgs
- 9.MAX PROCESSING TEMPERATURE : 60 SECONDS IN 230°C AND 10 SECONDS IN 260°C



SCHEMATIC



P.C.B
LAYOUT
VIEW

NO	DFSCRIPTION	QTY	MATFRIAL	PLATING
6	COVER	1	PA66/PBT	
5	CONTACT	1	BRASS	Cu-Sn-Plating
4	FOOTIN	1	H59 BRASS	Ni-Plating
3	SPRING	1	65Mn STEEL	Cu-Sn-Plating
2	FLAT PIECE	1	H62 BRASS	Cu-Sn-Plating
1	HOUSING	1	PA66/PBTT	

TOLERANCE UNLESS OTHERWISE SPECIFIED	
.XXX ±0.10	.X' ±3'
.XX ±0.20	.XX' ±2'
.X ±0.30	

FLW 深圳市华联威电子科技有限公司
HUA LIAN WEI TECHNOLOGY ELECTRONICS CO;LTD.

APPROVED		PART NAME:	DC-016 DC JACK			
CHECKED		PART No:	JK1-224-2217	C		
DRAWN	yangguifeng	PROJECTION:	UNIT:	SCALE:	SHEET:	REV.:
DATE	2021.12.01		mm	1:1	1 OF 1	A