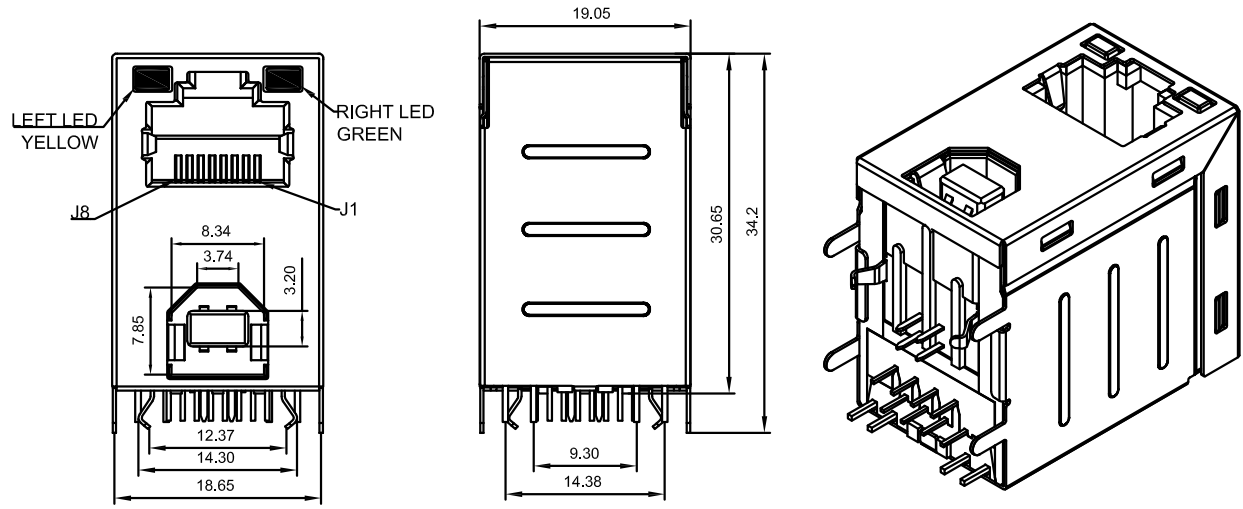
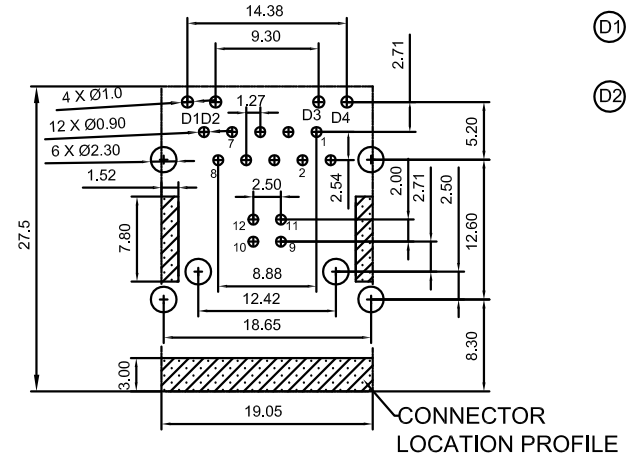
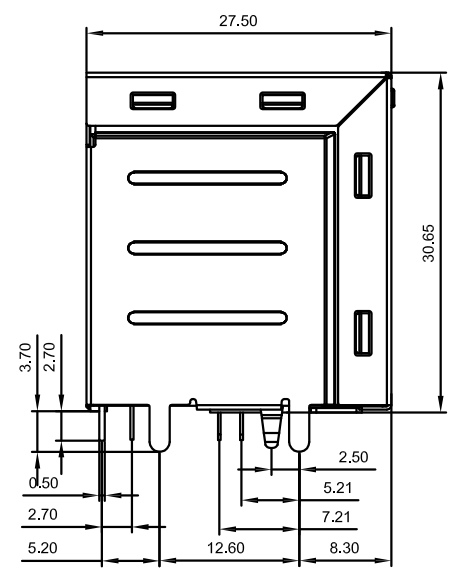


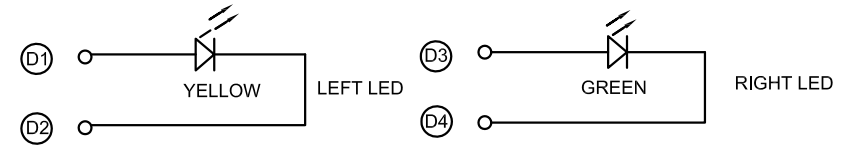
REV.	ECN.NO.	APPD.
A	/	/



- NOTES:
- MATERIAL:
 - Housing:thermoplastic plastics
 - terminals:Copper Alloy
Gold plated in contact area:
Tin plated in termination
Nickel Plated overall
 - Shell:Steel&Copper Alloy
Nickel/Tin Plated overall
 - ELECTRICAL CHARACTERISTICS:
 - Rating Current :1 Ampere
 - Rating Voltage :125 V Max
 - Contact Resistance:40 Milli ohms
 - Insulation Resistance:500 Mega ohms Min.
 - MECHANICAL CHARACTERISTICS:
 - Connector Mating force: 35N MAX(3.57Kgf)
 - ENVIRONMENT CHARACTERISTICS:
 - Operating temperature:-40°C to +85°C
 - Storage temperature:-40°C to +85°C



RECOMMENDED P.C.B. PATTERN LAYOUT
COMPONENT SIDE SHOWN



R570-32660-XXX0X8

- 1:半金1u"
- 1:吸塑盒
- 6:LCP
- 1:黑色

TOLERANCE UNLESS OTHERWISE SPECIFIED		FLW 深圳市华联威电子科技有限公司			
.XXX ±0.10 .XX ±0.20 .X ±0.30		.X' ±3' .XX' ±2'		HUA LIAN WEI TECHNOLOGY ELECTRONICS CO.;LTD.	
APPROVED		PART NAME:	RJ45+B母2.0 左黄右绿		
CHECKED		PART No:	R570-32660-161018	C	
DRAWN	weihong	PROJECTION:	UNIT:	SCALE	SHEET
DATE	2021.9.23		mm	1:1	10F1
					REV. A