

9

8

7

6

5

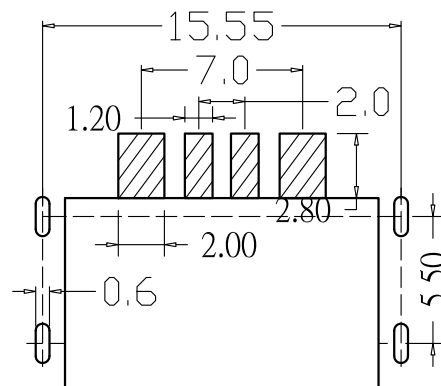
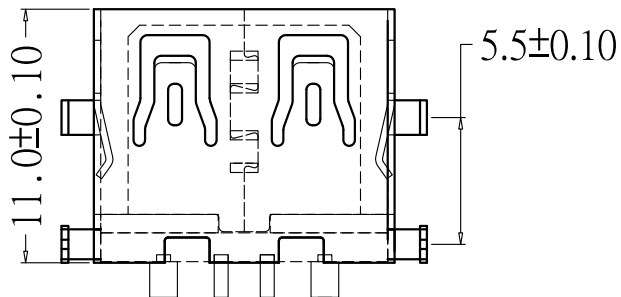
4

3

2

1

REV.	ECN.NO.	APPD.
A	XXXXXXXXXX	chenyiting



NOTES:

1.MATERIAL:

1.1 Housing:thermoplastic plastics

1.2 terminals:Copper Alloy

Gold plated in contact area:

Tin plated in termination

Nickel Plated overall

1.3 Shell:Steel&Copper Alloy

Nickel Plated overall

2.ELECTRICAL CHARACTERISTICS:

2.1 Rating Current :1.5 Ampere

2.2 Rating Voltage :30 V Max

2.3 Contact Resistance:30 Milli ohms

2.4 Insulation Resistance:1000 Mega ohms Min.

3.MECHANICAL CHARACTERISTICS:

3.1 Connector Mating force: 35N MAX(3.57Kgf)

3.2 Connector Unmating force:10N min(1.02Kgf)

3.3 Durability:1500Cycles.

4.ENVIRONMENT CHARACTERISTICS:

4.1 Operating temperature:-0°C to +50°C

4.2 Storage temperature:-20°C to +60°C

U227-3531-G21017

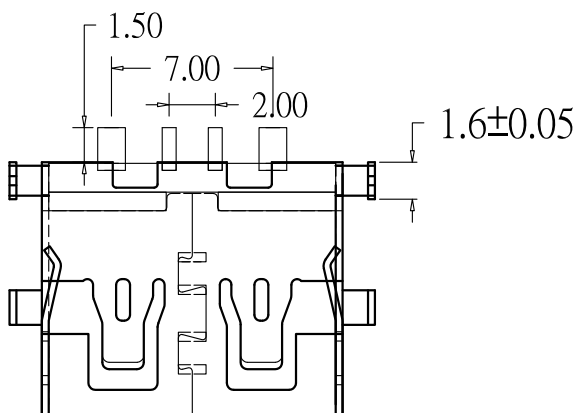
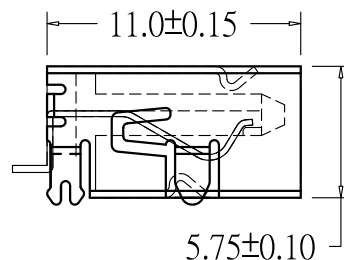
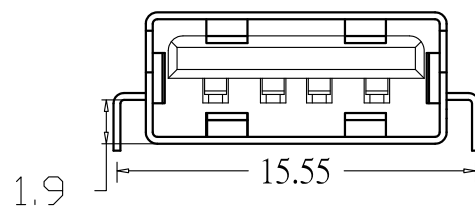
1: 铁壳镀镍

1: 吸塑盒

1: 黑色

G: 半金G/Fu"

2: PBT



TOLERANCE UNLESS OTHERWISE SPECIFIED		HLW 深圳市华联威电子科技有限公司				
.XXX ±0.10	.XX ±0.20	HUA LIAN WEI TECHNOLOGY ELECTRONICS CO;LTD.				
.X ±0.30	.X' ±3'					
	.XX' ±2'					
APPROVED		PART NAME:	AF 11.0短体 沉板1.9 SMT3A大电流无卷边			
CHECKED		PART No:	U227-3531-G21017			C
DRAWN	chenyiting	PROJECTION:	UNIT:	SCALE	SHEET	REV.
DATE	2023.03.31		mm	1:1	1 OF 1	A

9

8

7

6

5

4

3

2

1