

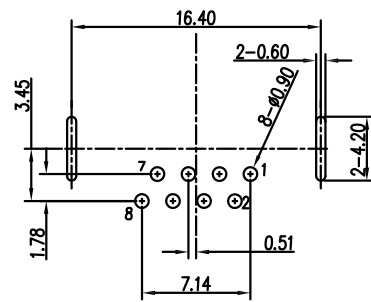
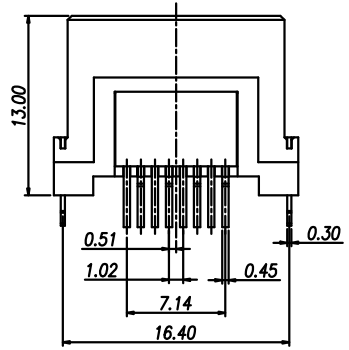
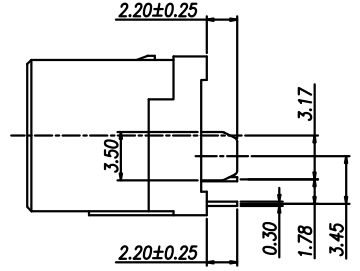
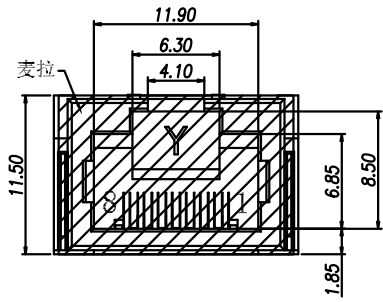
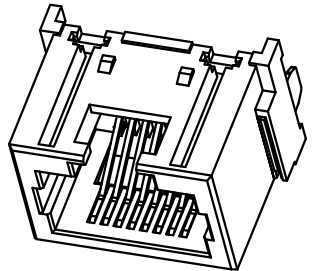
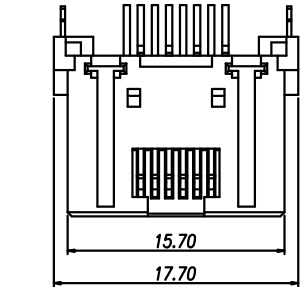
REV.	ECN.NO.	APPD.
A	XXXXXXXXXX	yangguifeng

NOTES:

- 1.MATERIAL:
  - 1.1 Housing:thermoplastic plastics
  - 1.2 terminals:Copper Alloy  
Gold plated in contact area:  
OR Gold Plated overall
  - 1.3 Shell:Steel&Copper Alloy  
Nickel/Tin Plated overall
- 2.ELECTRICAL CHARACTERISTICS:
  - 2.1 Rating Current :1.5 Ampere
  - 2.2 Rating Voltage :125 V Max
  - 2.3 Contact Resistance:50 Milli ohms
  - 2.4 Insulation Resistance:500 Mega ohms Min.
- 3.MECHANICAL CHARACTERISTICS:
  - 3.1 Connector Mating force: 2.27kgf MAX
  - 3.2 Durability:750Cycles.
- 4.ENVIRONMENT CHARACTERISTICS:
  - 4.1 Operating temperature:-40°C to +85°C
  - 4.2 Storage temperature:-10°C to +40°C

R560-11300-G61018

G:半金G/Fu" 1:吸塑盒  
6:LCP 1:黑色



RECOMMENDED PCB LAYOUT  
TOP VIEW (COMPONENT SIDE)  
TOLERANCES UNLESS OTHERWISE SPEC.  
SPEC. ±0.05

TOLERANCE UNLESS OTHERWISE SPECIFIED		FLW 深圳市华联威电子科技有限公司 HUA LIAN WEI TECHNOLOGY ELECTRONICS CO				
.XXX ±0.10	.XX ±0.20	.X ±0.30	.X ±3'	.XX ±2'		
APPROVED		PART NAME:	RJ45 180度全塑			
CHECKED		PART No:	R560-11300-G61018	C		
DRAWN	yangguifeng	PROJECTION:	UNIT:	SCALE	SHEET	REV.
DATE	2021.12.01		mm	1:1	1 OF 1	A