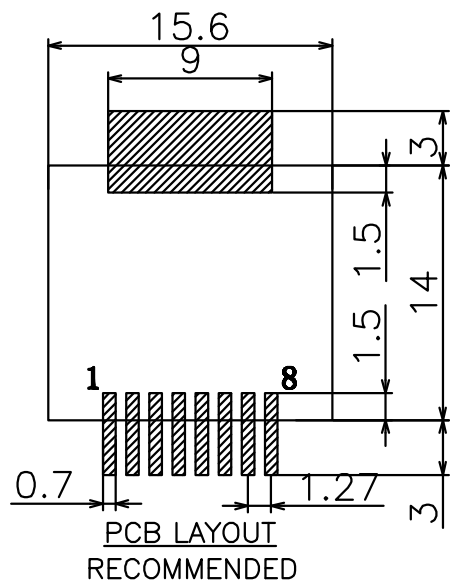
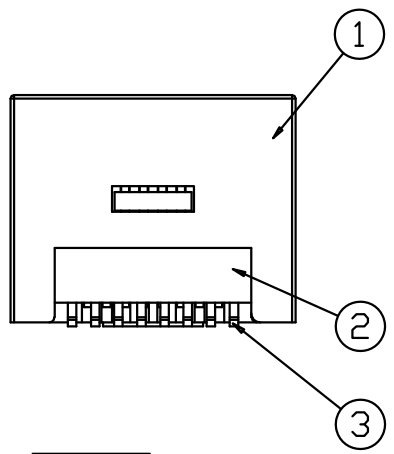
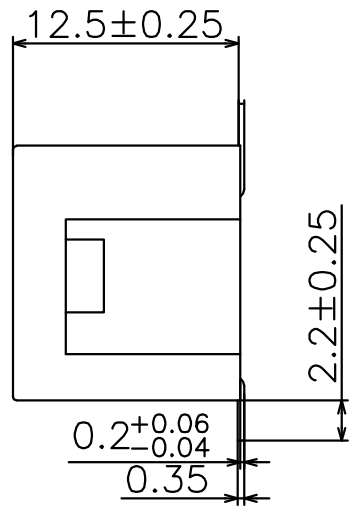
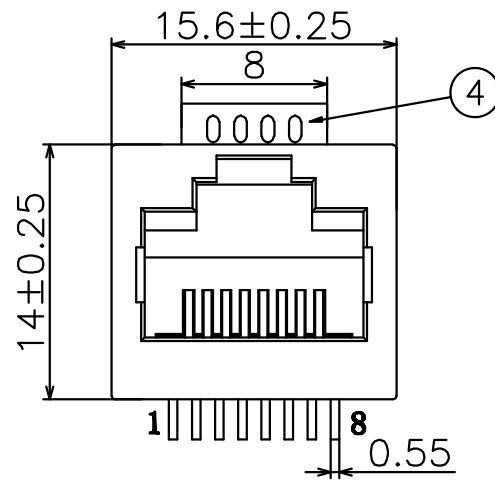


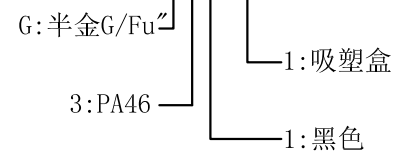
REV.	ECN.NO.	APPD.
A	/	/



NOTES:

- 1.MATERIAL:
  - 1.1 Housing:thermoplastic plastics
  - 1.2 terminals:Copper Alloy  
Gold plated in contact area:  
OR Gold Plated overall
  - 1.3 Shell:Steel&Copper Alloy  
Nickel/Tin Plated overall
- 2.ELECTRICAL CHARACTERISTICS:
  - 2.1 Rating Current :1.5 Ampere
  - 2.2 Rating Voltage :125 V Max
  - 2.3 Contact Resistance:50 Milli ohms
  - 2.4 Insulation Resistance:500 Mega ohms Min.
- 3.MECHANICAL CHARACTERISTICS:
  - 3.1 Connector Mating force: 2.27kgf MAX
  - 3.2 Durability:750Cycles.
- 4.ENVIRONMENT CHARACTERISTICS:
  - 4.1 Operating temperature:-40°C to +85°C
  - 4.2 Storage temperature:-10°C to +40°C

R5D0-1301E-XXX0X8



X	Terminal Plating
0	Au Fu" Plating
1	Au 1u" Plating
2	Au 2u" Plating
3	Au 3u" Plating
4	Au 6u" Plating
5	Au 10u" Plating
6	Au 15u" Plating
7	Au 30u" Plating

TOLERANCE UNLESS OTHERWISE SPECIFIED		<b>FLW</b> 深圳市华联威电子科技有限公司			
.XXX ±0.30 .XX ±0.20 .X ±0.10		.X* ±5° .XX* ±2°		HUA LIAN WEI TECHNOLOGY ELECTRONICS CO;LTD.	
APPROVED		PART NAME:	RJ45 立式贴片全塑		
CHECKED		PART No:	R5D0-1301E-G31018	C	
DRAWN	Shen	PROJECTION:	UNIT:	SCALE:	SHEET:
DATE	2021.09.01		mm	1:1	10F1
					REV. A