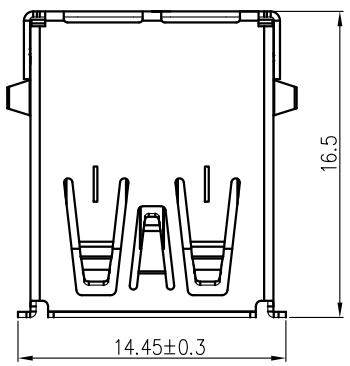
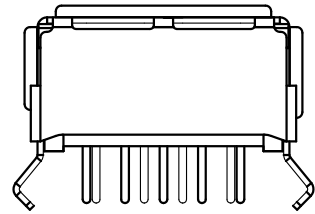
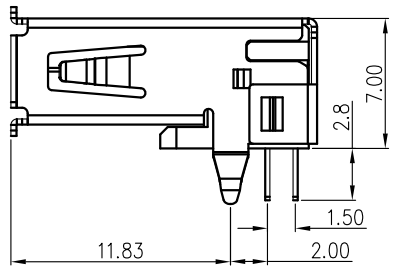
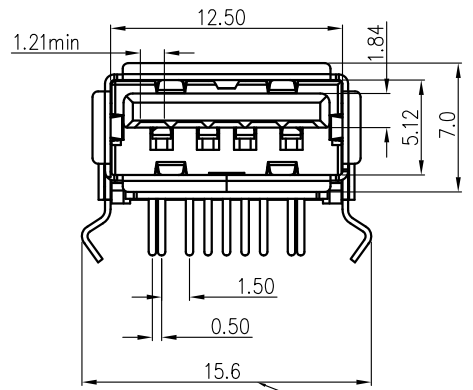


REV.	ECN.NO.	APPD.
C	E2021032601	LJF
A1	E2022021401	WH
A2	E2022071201	WH



Pin Number	Signal Name	Pin Number	Signal Name
1	VBUS	5	StdA_SSRX-
2	D-	6	StdA_SSRX+
3	D+	7	GND_DRAIN
4	GND	8	StdA_SSTX-
Shell	Shield	9	StdA_SSTX+

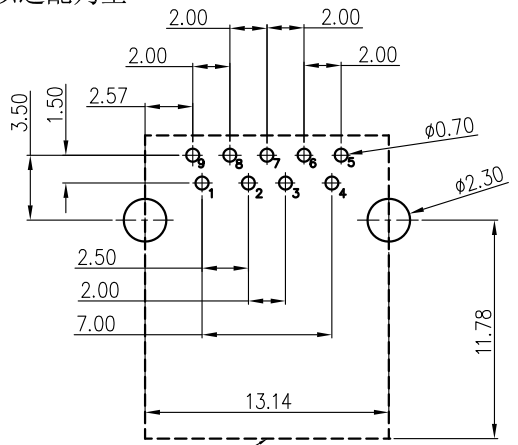
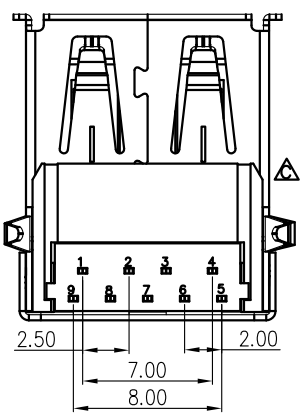
Remark:
 1.MATERIAL:
 1.1 Housing:thermoplastic plastics.
 1.2 terminals:Copper Alloy
 1.3 Shell:Copper Alloy/SPCC.
 2.characteristics:
 2.1 Rating Voltage : 30V AC.
 2.2 Rating Current:PIN1&PIN4(Vbus&Correponding ground PIN)
 1.8A MAX Other PINS 0.25A min.
 2.3 Contact Resistance:PIN1&PIN4:30 mΩ MAX. Other PINS: 50 mΩ
 2.4 Insulation Resistance:100 MΩ MIN.
 2.5 Withstanding Voltage:AC 100V between adjacent contacts
 2.6 Mating force: 3.57Kgf MAX(35N MAX)
 2.7 Extraction force:1.02Kgf Min(10N Min)
 2.8 Life test:1500Cycles MIN.
 2.9 Temperature Range: -55℃~+85℃.



U321-012X-XXX0XX

- 5: 铜壳镀镍
- 1: 半金1u"
- 1: RoHS 防火
- 1: 吸塑盒
- 延伸码
- 2: PBT
- 7: 蓝色300C

此尺寸以适配为主



CONNECTOR FRONT EDGE

Pin Number	Signal Name	TOLERANCE UNLESS OTHERWISE SPECIFIED		FLW 深圳市华联威电子科技有限公司 HUA LIAN WEI TECHNOLOGY ELECTRONICS CO;LTD.			
1	VBUS	.XXX ±0.10	.X' ±3'	PART NAME: USB 3.0 AF 90度			
2	D-	.XX ±0.20	.XX' ±2'				
3	D+	.X ±0.30	.X' ±2'	PART No: U321-0125-127011 C			
4	GND	APPROVED					
5	SSRX-	CHECKED		PROJECTION: UNIT: SCALE SHEET REV.			
6	SSRX+	DRAWED weihong					
7	GND	DATE 2022.07.12		mm 1:1 10F1 A2			
8	SSTX-	DATE 2022.07.12					
9	SSTX+						
Shell	Shield						