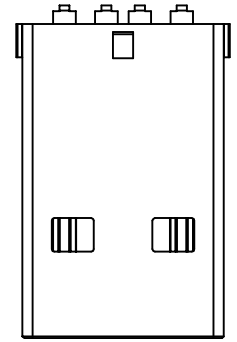
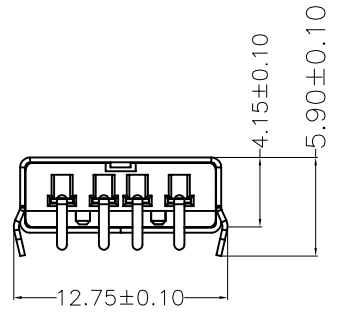


REV.	ECN.NO.	APPD.
A0	/	/

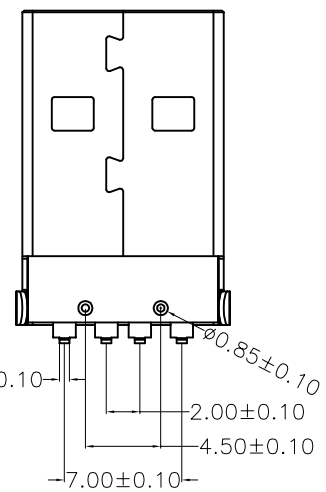
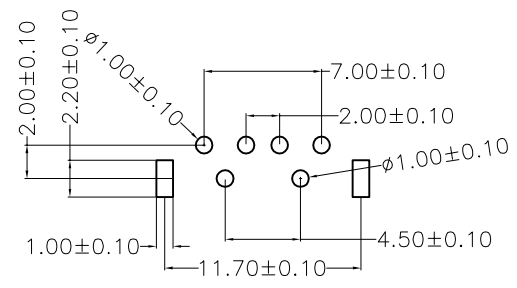
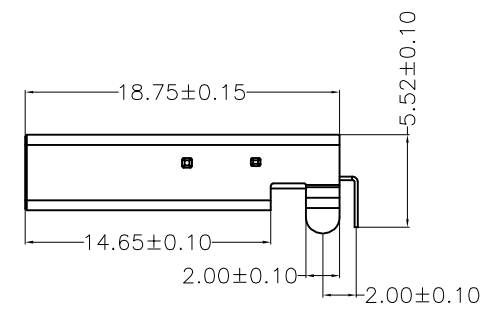
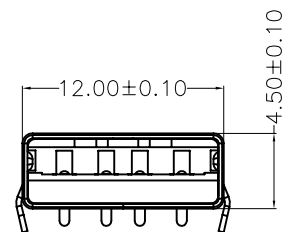
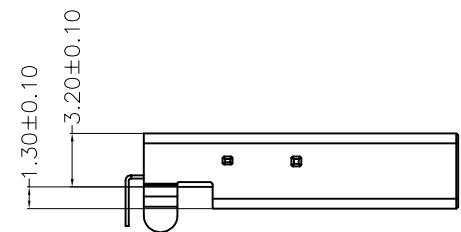


MECHANICAL
 Insulator material:
 PBT@glass-fibre reinforced
 UL 94v-0
 plastic:Brass
 NUt specifications:
 Shell:nidel(or tin,gold)plated
 Number of cntact:04.
 Durabil tty:5000 cycles

ELECTRICAL
 Current rating:5Amp
 Dielectric withstanding voltage:AC
 500vmin(500v dc)
 500m max
 Contactresistance:
 25m max
 Working temperayure:-50° c- 150° c

U211-052X-XXX0X7

- 1:铁壳镀镍
- 5:铜壳镀镍
- 6:铜壳镀雾锡
- 1:半金1u"
- J:半金3u"
- K:半金5u"
- 7:半金10u"
- 8:半金15u"
- G:半金G/Fu"
- 1:吸塑盒
- 8:载带
- 9:载带+贴麦拉
- 1:黑色
- 2:白色
- 2:PBT
- 5:PA9T
- 6:LCP



TOLERANCE UNLESS OTHERWISE SPECIFIED		FLW 深圳市华联威电子科技有限公司					
.XXX ±0.10		HUA LIAN WEI TECHNOLOGY ELECTRONICS CO;LTD.					
.XX ±0.20							
.X ±0.30							
APPROVED		PART NAME:	USB AM 90度				
CHECKED		PART No:	U211-0521-G22017				C
DRAWN	weihong	PROJECTION:	UNIT:	SCALE	SHEET	REV.	
DATE	2021.07.30		mm	1:1	10F1	A0	