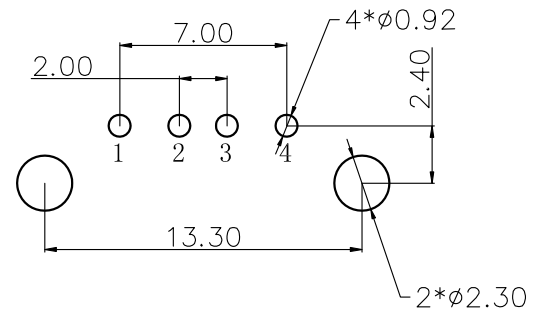
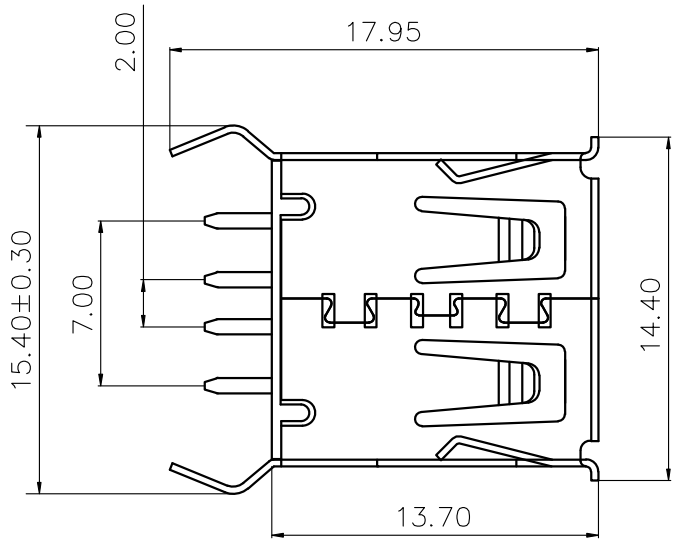
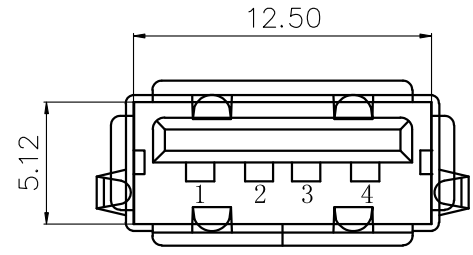
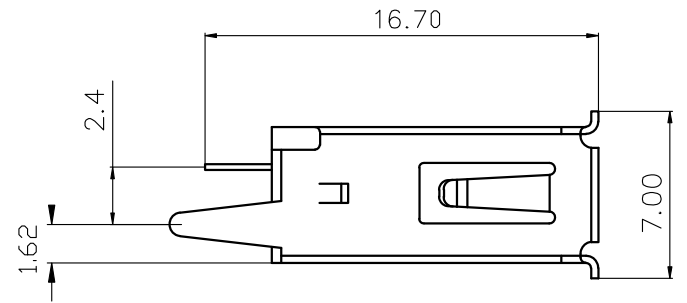


| REV. | ECN.NO.     | APPD.      |
|------|-------------|------------|
| A    | EXXXXXXXXXX | chenyiting |

- NOTES:
- MATERIAL:
    - Housing:thermoplastic plastics
    - terminals:Copper Alloy  
Gold plated in contact area:  
Tin plated in termination  
Nickel Plated overall
    - Shell:Steel&Copper Alloy  
Nickel Plated overall
  - ELECTRICAL CHARACTERISTICS:
    - Rating Current :1.5 Ampere
    - Rating Voltage :30 V Max
    - Contact Resistance:30 Milli ohms
    - Insulation Resistance:1000 Mega ohms Min.
  - MECHANICAL CHARACTERISTICS:
    - Connector Mating force: 35N MAX(3.57Kgf)
    - Connector Unmating force:10N min(1.02Kgf)
    - Durability:1500Cycles.
  - ENVIRONMENT CHARACTERISTICS:
    - Operating temperature:-0°C to +50°C
    - Storage temperature:-20°C to +60°C



PCB.LAYOUT

U223-3521-G22017

1:吸塑盒  
2:白色  
2:PBT  
G:半金G/Fu"  
5:铜壳镀镍

|                                      |            |                           |                    |   |       |
|--------------------------------------|------------|---------------------------|--------------------|---|-------|
| TOLERANCE UNLESS OTHERWISE SPECIFIED |            | <b>FLW</b> 深圳市华联威电子科技有限公司 |                    |   |       |
| .XXX ±0.10<br>.XX ±0.20<br>.X ±0.30  |            | .X' ±3'<br>.XX' ±2'       |                    | HUA LIAN WEI TECHNOLOGY ELECTRONICS CO;LTD. |       |
| APPROVED                             |            | PART NAME:                | USB AF直插180度弯脚13.7 |   |       |
| CHECKED                              |            | PART No:                  | U223-3521-G22017   |   | C     |
| DRAWN                                | chenyiting | PROJECTION:               | UNIT:              | SCALE                                       | SHEET |
| DATE                                 | 2023.03.14 |                           | mm                 | 1:1   | 10F1  |
|                                      |            |                           |                    | REV.  | A     |

| Contact Number | Signal Name |
|----------------|-------------|
| 1              | VBUS        |
| 2              | D-          |
| 3              | D+          |
| 4              | GND         |

由 Autodesk 教育版产品制作

由 Autodesk 教育版产品制作