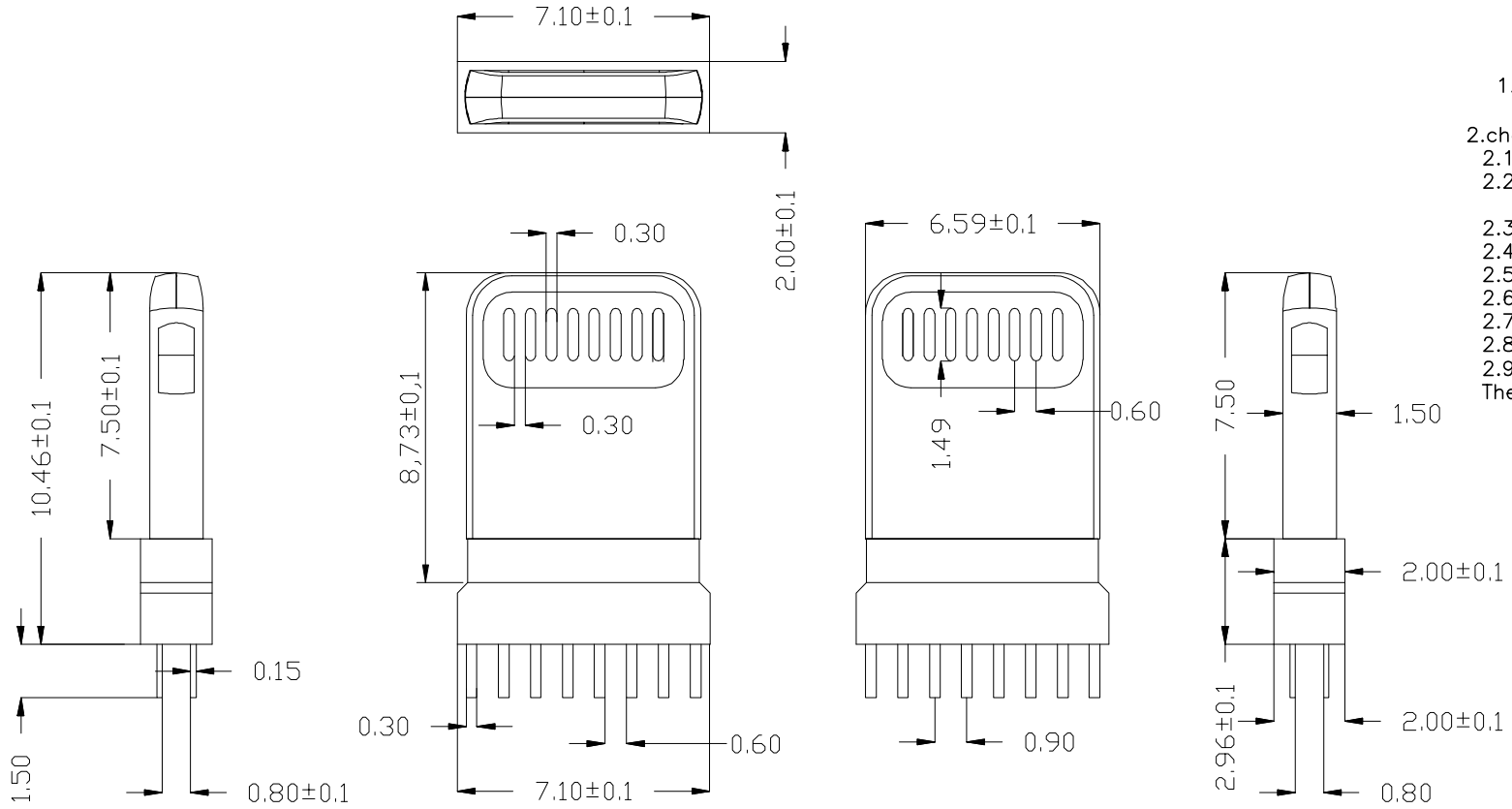


REV.	ECN.NO.	APPD.
A	/	/

NOTES:
1.MATERIAL:
1.1 Housing:thermoplastic plastics
1.2 terminals:Copper Alloy
Gold plated in contact area:
Tin plated in termination
Nickel Plated overall
1.3 Shell:Steel&Copper Alloy
Nickel/Au Plated overall
2.characteristics:
2.1 Rating Voltage : 30V AC.
2.2 Rating Current:
5A for Vbus PIN;1.25A for Vconn PIN
2.3 Contact Resistance:40 mΩ MAX.
2.4 Insulation Resistance:100 MΩ MIN.
2.5 Withstanding Voltage:AC 100V
2.6 Mating force: 5~20N MAX
2.7 Extraction force:8~20N Min
2.8 Life test:10000Cycles MIN.
2.9 Temperature Range: -30℃~+80℃.
The product must be compliance ROHS



U599-241B-G63018
B: 不锈钢镀镍
G: 半金G/Fu
1: 吸塑盒
3: 米黄色
6: LCP

TOLERANCE UNLESS OTHERWISE SPECIFIED	
.XXX ±0.10	.X' ±3'
.XX ±0.20	.XX' ±2'
.X ±0.30	

FLW 深圳市华联威电子科技有限公司
HUA LIAN WEI TECHNOLOGY ELECTRONICS CO;LTD.

APPROVED		PART NAME:	TYPE C 16P 不包胶苹果公头			
CHECKED		PART No:	U599-241B-G63018			C
DRAWN	weihong	PROJECTION:	UNIT:	SCALE:	SHEET:	REV.
DATE	2021.11.06		mm	1:1	10F1	A