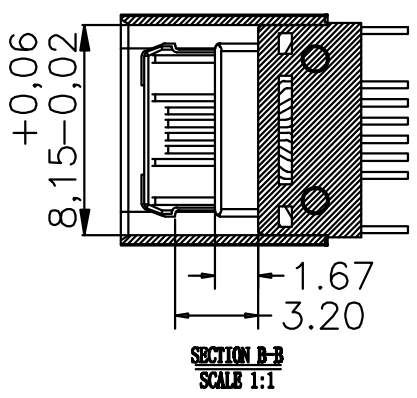
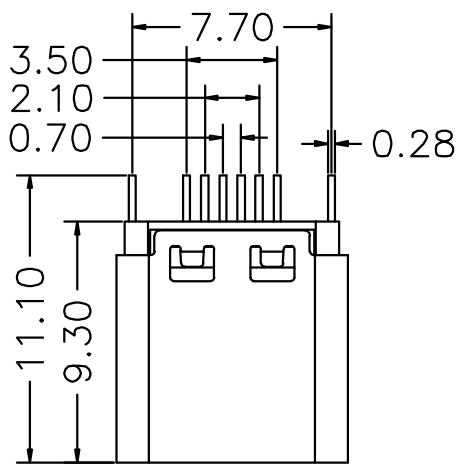
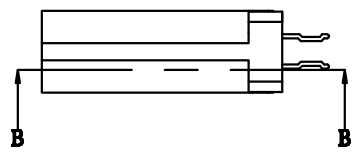
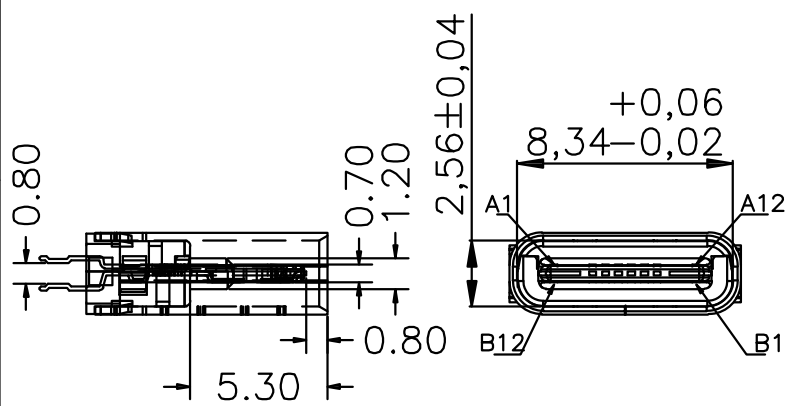


REV.	ECN.NO.	APPD.
A	/	ZFY



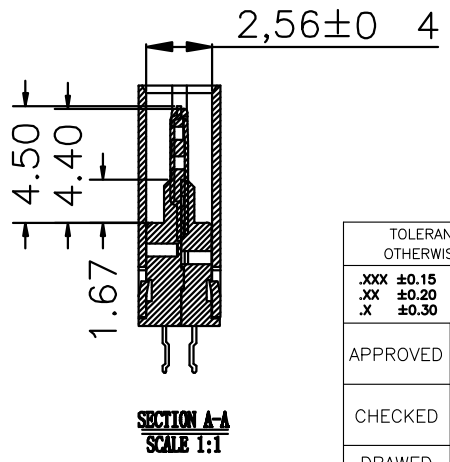
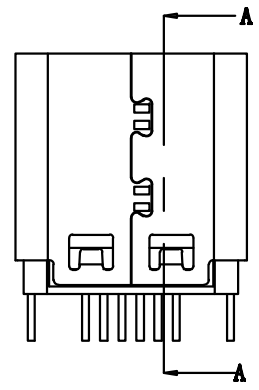
NOTES:
 1.MATERIAL:
 1.1 Housing:thermoplastic plastics
 1.2 terminals:Copper Alloy
 Gold plated in contact area:
 Tin plated in termination
 Nickel Plated overall
 1.3 Shell:Steel&Copper Alloy
 Nickel/Au Plated overall
 2.characteristics:
 2.1 Rating Voltage : 30V AC.
 2.2 Rating Current:
 5A for Vbus PIN;1.25A for Vconn PIN
 2.3 Contact Resistance:40 mΩ MAX.
 2.4 Insulation Resistance:100 MΩ MIN.
 2.5 Withstanding Voltage:AC 100V
 2.6 Mating force: 5~20N MAX
 2.7 Extraction force:8~20N Min
 2.8 Life test:10000Cycles MIN.
 2.9 Temperature Range: -30℃~+80℃.
 The product must be compliance ROHS



U573-2125-G61078
 5. 铜壳镀镍
 6: LCP
 7: 袋装
 1: 黑色
 G: 半金G/Fu"

PIN ASSIGNMENT:

Pin No.	Signal Name	Pin No.	Signal Name
A1	CND	B12	CND
A2		B11	
A3		B10	
A4	VBUS	B9	VBUS
A5	CC1	B8	SBU2
A6	D+	B7	D-
A7	D-	B6	D+
A8	SBU1	B5	CC2
A9	VBUS	B4	VBUS
A10		B3	
A11		B2	
A12	CND	B1	CND



TOLERANCE UNLESS OTHERWISE SPECIFIED	
.XXX ±0.15	.X° ±5°
.XX ±0.20	.X° ±2°
.X ±0.30	
APPROVED	
CHECKED	
DRAWN	Shen
DATE	2021.09.01

FLW 深圳市华联威电子科技有限公司
 HUA LIAN WEI TECHNOLOGY ELECTRONICS CO;LTD.

PART NAME:	TYPE C 母座带PCB板			
PART No:	U573-2125-G61078	C		
PROJECTION:	UNIT:	SCALE:	SHEET:	REV.
	mm	1:1	10F1	