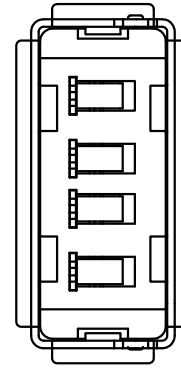
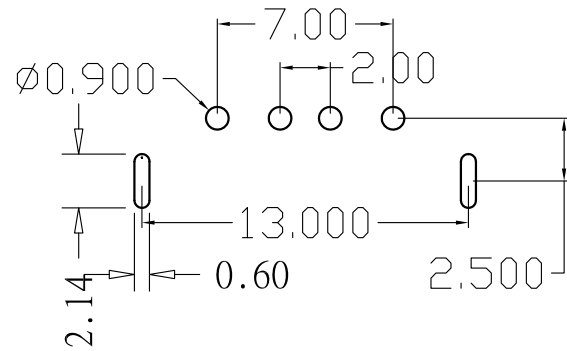


| REV. | ECN.NO. | APPD. |
|------|---------|-------|
| A    | /       | /     |



NOTES:

1.MATERIAL:

- 1.1 Housing:thermoplastic plastics
- 1.2 terminals:Copper Alloy  
Gold plated in contact area:  
Tin plated in termination  
Nickel Plated overall
- 1.3 Shell:Steel&Copper Alloy  
Nickel Plated overall

2.ELECTRICAL CHARACTERISTICS:

- 2.1 Rating Current :1.5 Ampere
- 2.2 Rating Voltage :30 V Max
- 2.3 Contact Resistance:30 Milli ohms
- 2.4 Insulation Resistance:1000 Mega ohms Min.

3.MECHANICAL CHARACTERISTICS:

- 3.1 Connector Mating force: 35N MAX(3.57Kgf)
- 3.2 Connector Unmating force:10N min(1.02Kgf)
- 3.3 Durability:1500Cycles.

4.ENVIRONMENT CHARACTERISTICS:

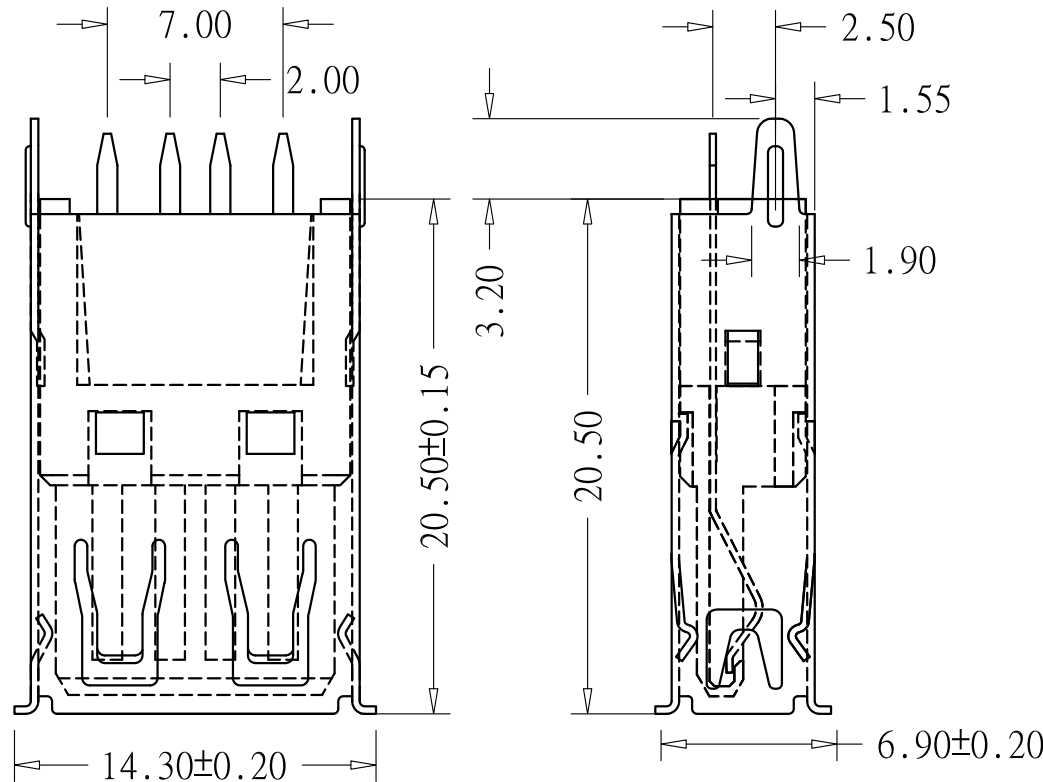
- 4.1 Operating temperature:-0°C to +50°C
- 4.2 Storage temperature:-20°C to +60°C

D

C

B

A



U223-0921-G22017  
 1:铁壳镀镍  
 G:半金G/Fu"  
 1:吸塑盒  
 2:白色  
 2:PBT

|                                      |           |                           |                       |   |        |
|--------------------------------------|-----------|---------------------------|-----------------------|---|--------|
| TOLERANCE UNLESS OTHERWISE SPECIFIED |           | <b>FLW</b> 深圳市华联威电子科技有限公司 |                       |   |        |
| .XXX ±0.10<br>.XX ±0.20<br>.X ±0.30  |           | .X' ±3'<br>.XX' ±2'       |                       | HUA LIAN WEI TECHNOLOGY ELECTRONICS CO;LTD. |        |
| APPROVED                             |           | PART NAME:                | USB AF 180度 直插直脚 20.5 |   |        |
| CHECKED                              |           | PART No:                  | U223-0921-G22017      | C   |        |
| DRAWN                                | weihong   | PROJECTION:               | UNIT:                 | SCALE                                       | SHEET  |
| DATE                                 | 2021.7.23 |                           | mm                    | 1:1   | 10F1   |
|                                      |           |                           |                       |   | REV. A |