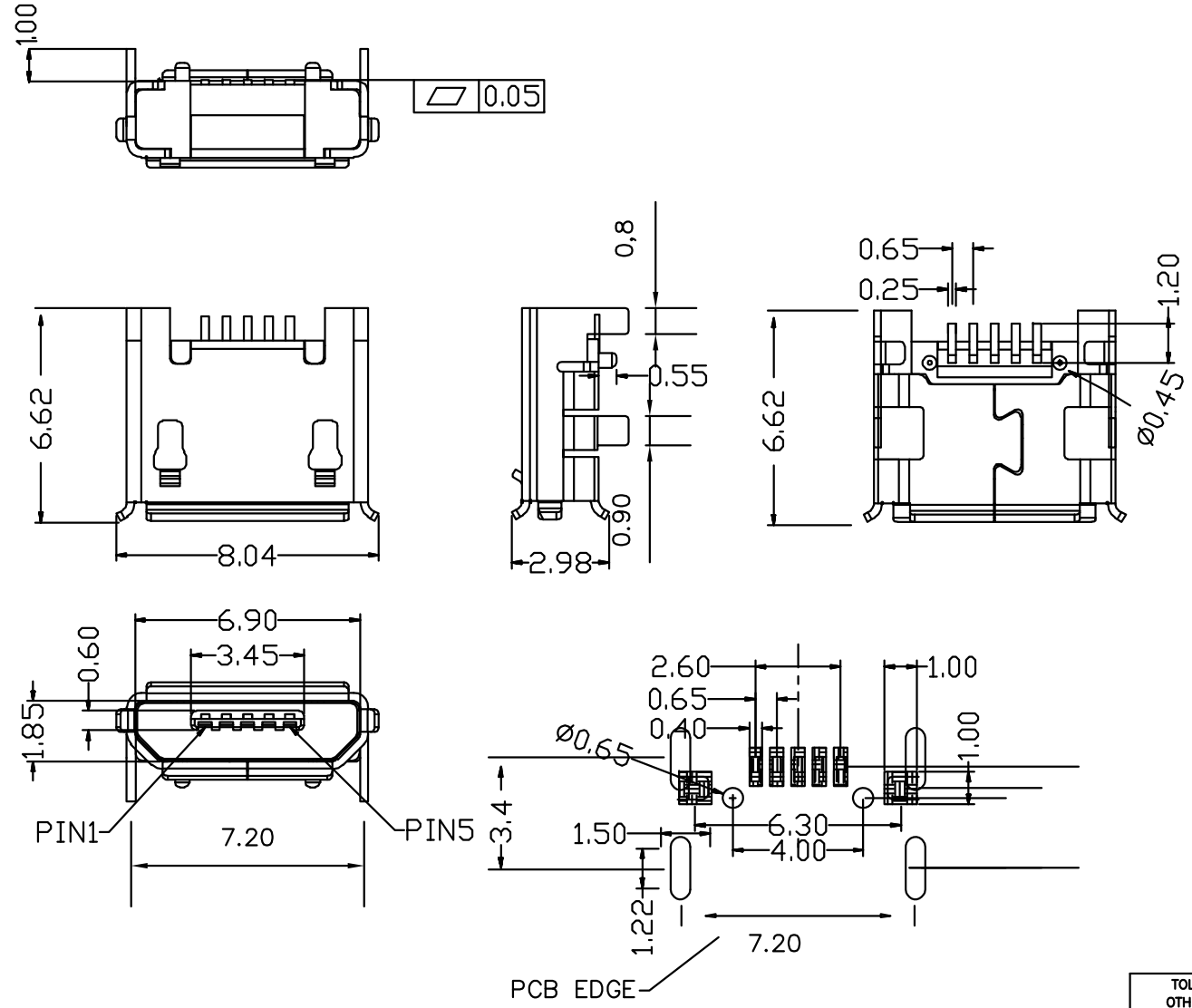


REV.	ECN.NO.	APPD.
A	EXXXXXXXXXXX	chenyiting

NOTES:

- 1.MATERIAL:
 - 1.1 Housing: thermoplastic plastics,
 - 1.2 terminals:Copper Alloy
Gold plated overall
 - 1.3 Shell:Steel&Copper Alloy
Nickel/Tin Plated overall
- 2.ELECTRICAL CHARACTERISTICS:
 - 2.1 Rating Current :1.5 Ampere
 - 2.2 Rating Voltage :30 V Max
 - 2.3 Contact Resistance:50 Milli ohms
 - 2.4 Insulation Resistance:100 Mega ohms Min.
- 3.MECHANICAL CHARACTERISTICS:
 - 3.1 Connector Mating force: 35N MAX
 - 3.2 Connector Unmating force:7N min
- 4.ENVIRONMENT CHARACTERISTICS:
 - 4.1 Operating temperature:-0°C to +50°C
 - 4.2 Storage temperature:-20°C to +60°C



U442-C91B-G61038
 B: 不锈钢镀镍
 G: 半金G/Fu
 6: LCP
 3: 载带
 1: 黑色

RECOMMENDED PCB LAYOUT
 TOLERANCE:±0.05

TOLERANCE UNLESS OTHERWISE SPECIFIED		HLW 深圳市华联威电子科技有限公司				
.XXX ±0.10		HUA LIAN WEI TECHNOLOGY ELECTRONICS CO.;LTD.				
.XX ±0.20		.X' ±3'				
.X ±0.30		.XX' ±2'				
APPROVED		PART NAME:	MICRO 5P SMT有卷边插脚7.2			
CHECKED		PART No:	U442-C91B-G61038			C
DRAWN	chenyiting	PROJECTION:	UNIT:	SCALE	SHEET	REV.
DATE	2022.06.30		mm	1:1	1 OF 1	A