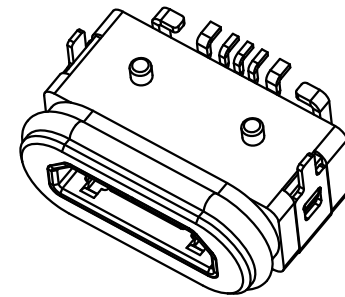
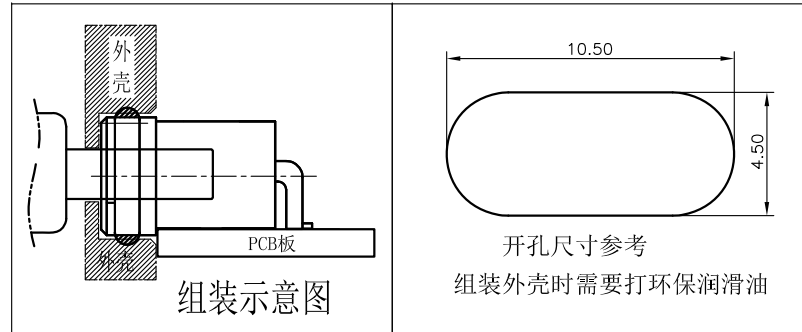
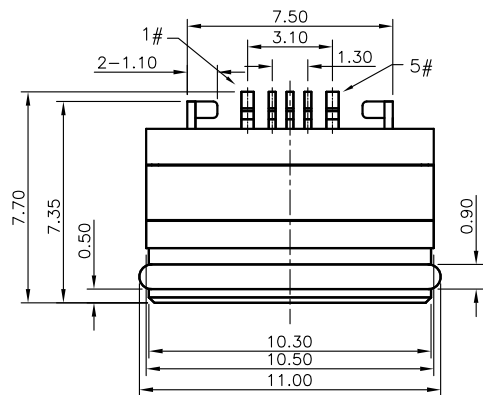


REV.	ECN.NO.	APPD.
A	XXXXXXXXXX	yangguifeng



NOTES:

1.MATERIAL:

- 1.1 Housing: thermoplastic plastics,
- 1.2 terminals:Copper Alloy  
Gold plated overall
- 1.3 Shell:Steel&Copper Alloy  
Nickel/Tin Plated overall

2.ELECTRICAL CHARACTERISTICS:

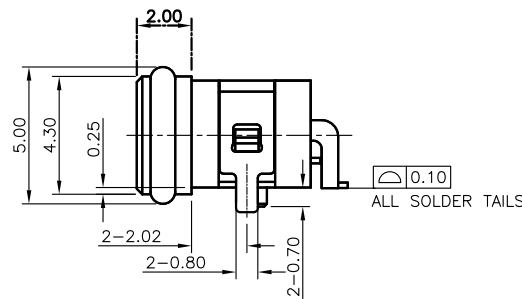
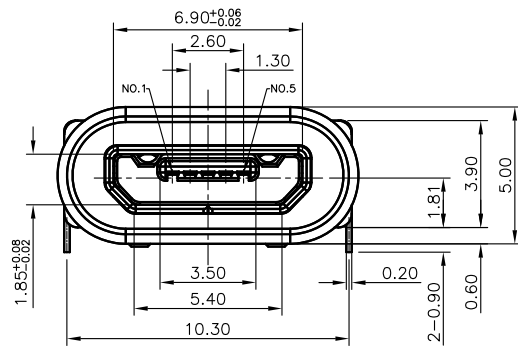
- 2.1 Rating Current :1.5 Ampere
- 2.2 Rating Voltage :30 V Max
- 2.3 Contact Resistance:50 Milli ohms
- 2.4 Insulation Resistance:100 Mega ohms Min.

3.MECHANICAL CHARACTERISTICS:

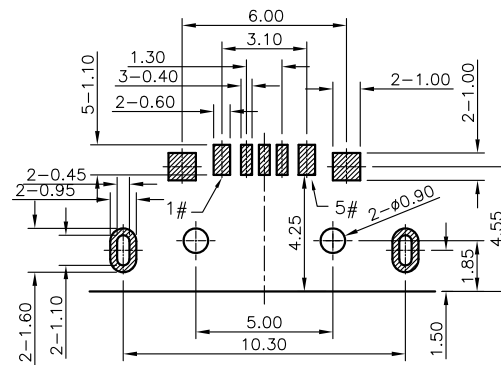
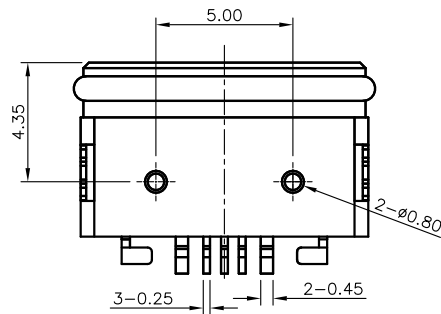
- 3.1 Connector Mating force: 35N MAX
- 3.2 Connector Unmating force:7N min

4.ENVIRONMENT CHARACTERISTICS:

- 4.1 Operating temperature:-0°C to +50°C
- 4.2 Storage temperature:-20°C to +60°C



U442-C44B-G51038  
 B: 不锈钢镀镍  
 G: 半金G/Fu"  
 3: 载带  
 1: 黑色  
 5: PA9T



RECOMMENDED P.C.B. LAYOUT (TOP VIEW)  
 GENERAL TOLERANCE: ±0.05

Contact Number	Signal Name	Remarks
1#	VBUS	Power
2#	D-	Date-
3#	D+	Date+
4#	ID	Reserve or Gound
5#	GND	Gound

TOLERANCE UNLESS OTHERWISE SPECIFIED		HLW 深圳市华联威电子科技有限公司 HUA LIAN WEI TECHNOLOGY ELECTRONICS CO;LTD.				
.XXX	±0.10	APPROVED	PART NAME:		MICRO 5P 短体7.35两脚SMT有柱	
.XX	±0.20	CHECKED	PART No:		U442-C44B-G51038	
.X	±0.30	DRAWN	yangguifeng	PROJECTION:	UNIT:	SCALE
		DATE	2021.12.01		mm	1:1
					SHEET	1 OF 1
					REV.	A