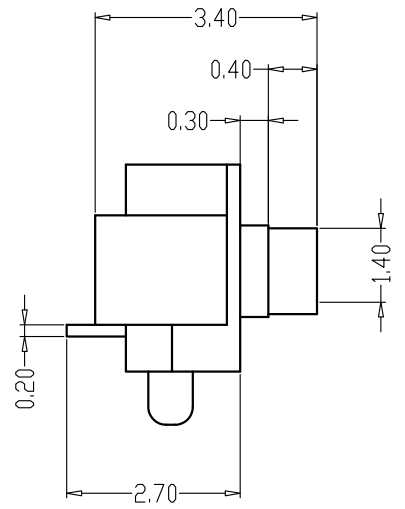
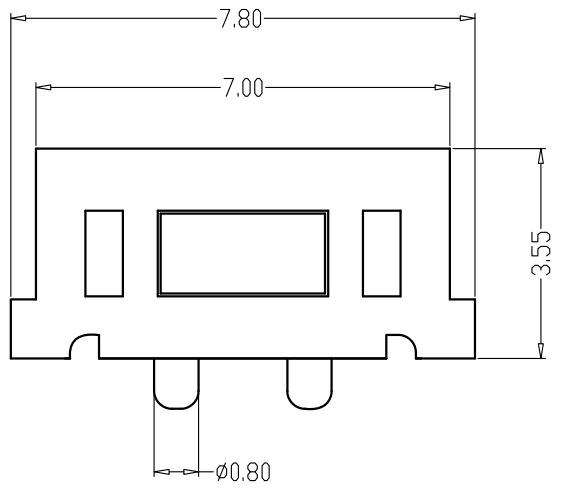
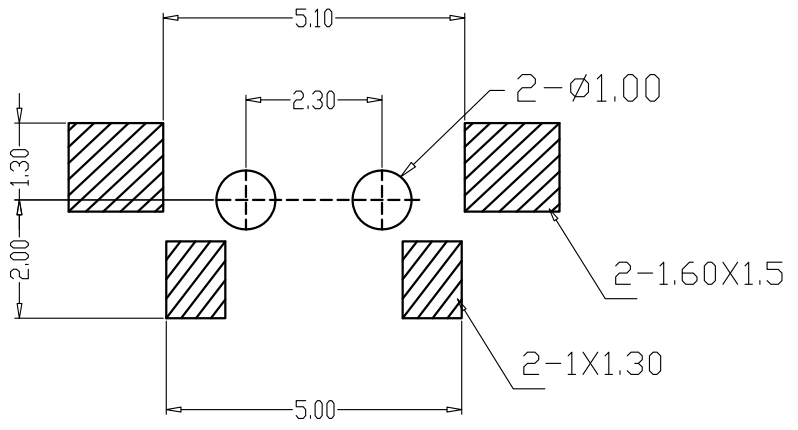
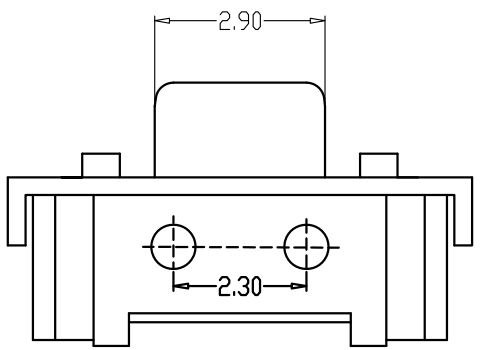


REV.	ECN.NO.	APPD.
A	XXXXXXXXXX	chenyiting



- 主要技术规格:
1. 额定值: 50mA DC12V
 2. 接触电阻: $\leq 50\text{m}\Omega$
 3. 操作力: $180 \pm 40\text{gf}$
 4. 行程: $0.20 \pm 0.1\text{mm}$
 5. 绝缘电阻: $\geq 100\text{M}\Omega$
 6. 抗电强度: 250V 50HZ 1Min.
 7. 寿命: 100,000 Cycles

TS4-0311-G618
 1: 铁壳镀镍
 G: 半金G/Fu^z
 6: LCP
 1: 黑色



PCB LAYOUT

TOLERANCE UNLESS OTHERWISE SPECIFIED	
.XXX ±0.10	.X' ±3'
.XX ±0.20	.XX' ±2'
.X ±0.30	

FLW 深圳市华联威电子科技有限公司
 HUA LIAN WEI TECHNOLOGY ELECTRONICS CO;LTD.

APPROVED		PART NAME:	轻触开关3x6x3.5mm侧插			
CHECKED		PART No:	TS4-0311-G618	C		
DRAWN	chenyiting	PROJECTION:	UNIT:	SCALE	SHEET	REV.
DATE	2023.04.07		mm	1:1	1 OF 1	A