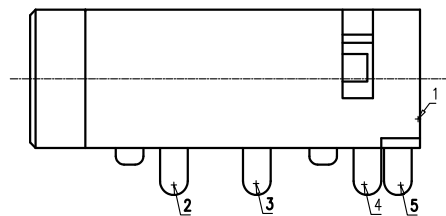
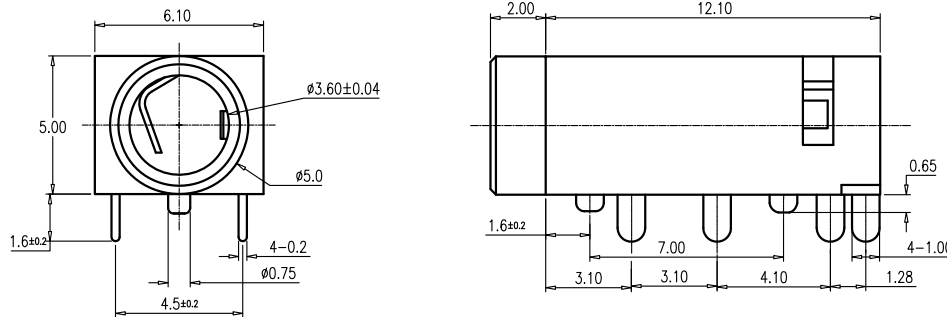
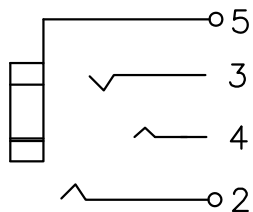


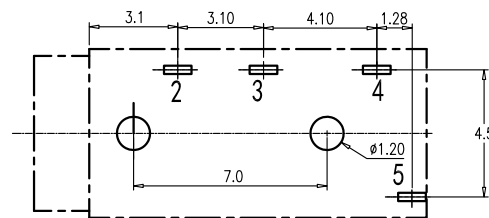
REV.	ECN.NO.	APPD.
B	变更胶芯材质	ZFY



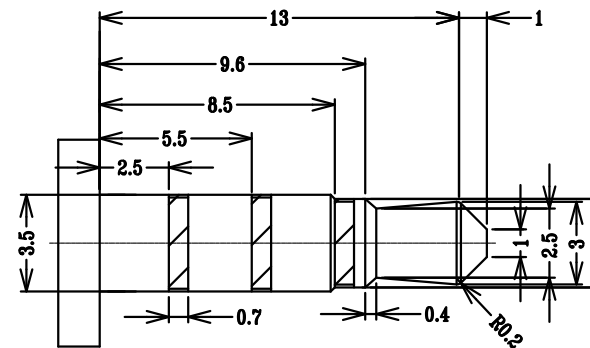
CIRCUIT DIAGRAM



P. C. B LAYOUT TOP VIEW



1. CURRENT RATING : 1.0 AMP. MAX.
2. DIELECTRIC WITHSTANDING : AC 500V/min R.M.S.
3. INSULATION RESISTANCE : 100MΩ min. AT 100V DC.
4. CONTACT RESISTANCE : 50mΩ MAX.
5. OPERATING TEMPERATURE : -25°C TO +85°C.
6. DURABILITY : 1500 CYCLES.
7. MATING FORCE : 3kgs MAX
8. UNMATING FORCE : 0.3~3.0kgs
9. MAX PROCESSING TEMPERATURE :
60 SECONDS IN 230°C AND 10 SECONDS IN 260°C



序号	名称	材料	数量	镀层/颜色	备注
1	2号脚	磷铜=0.20	1PCS	NI	
2	3号脚	磷铜=0.20	1PCS	NI	
3	4号脚	磷铜=0.20	1PCS	NI	
4	5号脚	磷铜=0.20	1PCS	Su	
5	塑料座	PPA	1PCS	黑色	

TOLERANCE UNLESS OTHERWISE SPECIFIED		HUA LIAN WEI TECHNOLOGY ELECTRONICS CO.,LTD.			
.XXX ±0.10	.XX ±0.20	.X ±0.30	.X° ±3'	.XX' ±2'	
APPROVED		PART NAME:	耳机JACK		
CHECKED		PART No:	JK1-131-C911		C
DRAWED	weihong	PROJECTION:	UNIT:	SCALE	SHEET
DATE	2021.07.25		mm	1:1	10F1
					REV. A0