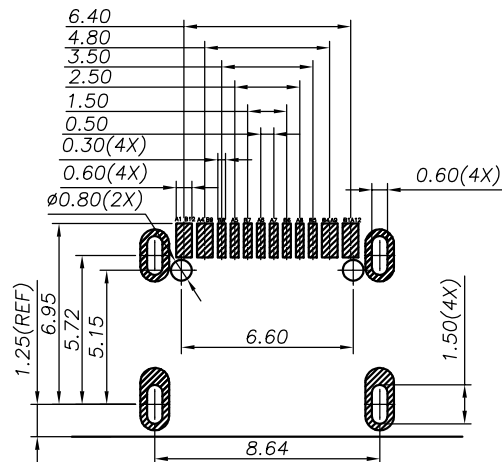
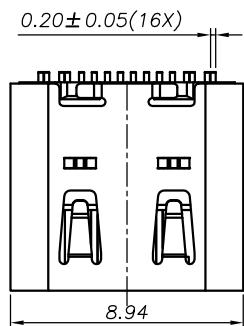
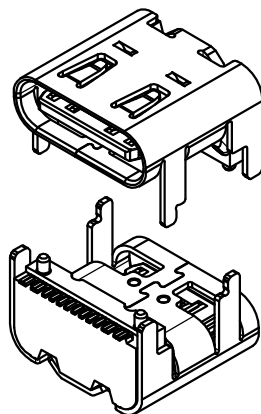
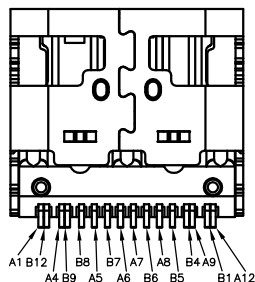
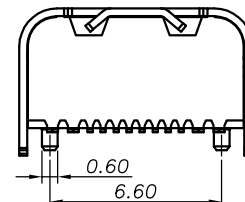
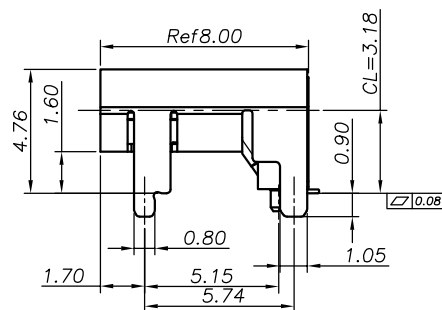
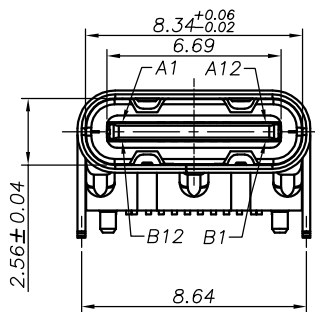


REV.	ECN.NO.	APPD.
A	EXXXXXXXXXXX	chenyiting



RECOMMENDED PCB LAYOUT(TOP VIEW)
THICKNESS 0.80MM;DEFAULT TOLERANCE:±0.05



NOTES:

1.MATERIAL:

- 1.1 Housing:thermoplastic plastics
- 1.2 terminals:Copper Alloy
Gold plated in contact area:
Tin plated in termination
Nickel Plated overall
- 1.3 Shell:Steel&Copper Alloy
Nickel/Au Plated overall

2.characteristics:

- 2.1 Rating Voltage : 30V AC.
 - 2.2 Rating Current:
5A for Vbus PIN;1.25A for Vconn PIN
 - 2.3 Contact Resistance:40 mΩ MAX.
 - 2.4 Insulation Resistance:100 MΩ MIN.
 - 2.5 Withstanding Voltage:AC 100V
 - 2.6 Mating force: 5~20N MAX
 - 2.7 Extraction force:8~20N Min
 - 2.8 Life test:10000Cycles MIN.
 - 2.9 Temperature Range: -30℃~+80℃.
- The product must be compliance ROHS

U521-041B-G63018

B: 不锈钢镀镍

G: 半金G/Fu"

6:LCP

1: 载带

3: 米黄色

TOLERANCE UNLESS OTHERWISE SPECIFIED		FLW 深圳市华联威电子科技有限公司					
.XXX ±0.10	.X ±3'	HUA LIAN WEI TECHNOLOGY ELECTRONICS CO;LTD.					
.XX ±0.20	.XX' ±2'						
.X ±0.30							
APPROVED		PART NAME:	TYPE C 16P 垫高1.6 三次模顶				
CHECKED		PART No:	U521-041B-G63018			C	
DRAWN	chenyiting	PROJECTION:	UNIT:	SCALE	SHEET	REV.	
DATE	2022.06.01		mm	1:1	1 OF 1	A	