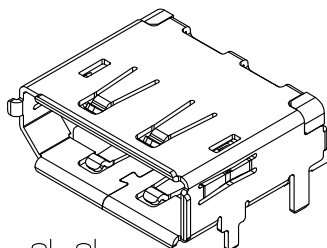
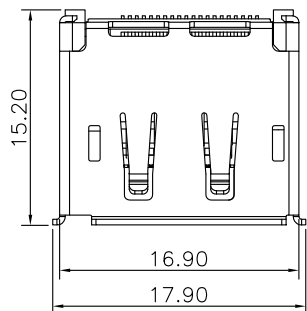


REV.	ECN.NO.	APPD.
A	/	/

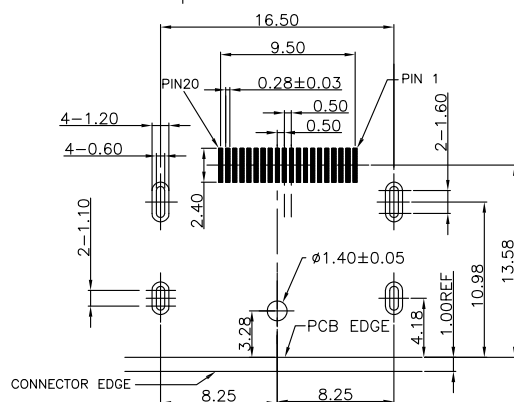
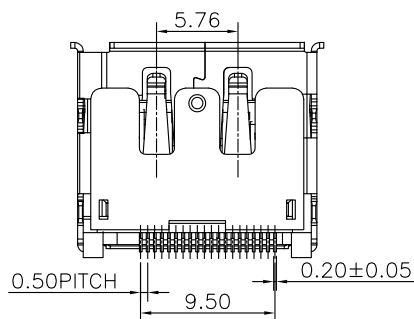
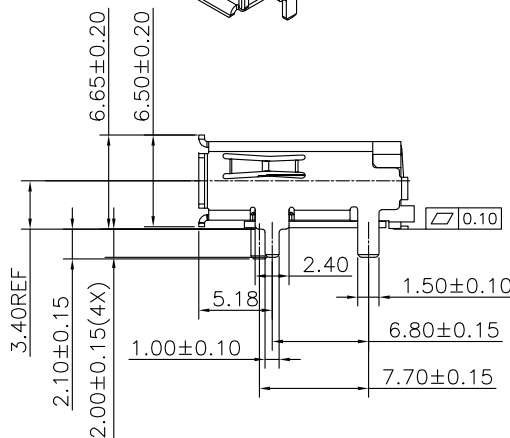
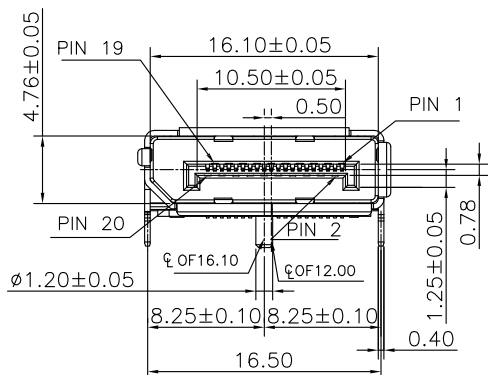


NOTES:

- SPECIFICATION:
 - CURRENT RATING: 0.5 A
 - CONTACT RESISTANCE: 30mΩ MAX.
 - DIELECTRIC WITHSTANDING VOLTAGE: 500VAC R.M.S FOR ONE MINUTE.
 - INSULATION RESISTANCE: 100MΩMIN AT 500VDC.
 - OPERATING TEMPERATURE: -25° TO +85°.
 - DURABILITY: 10000 CYCLES.
 - MATING FORCE: 4.5KG MAX.
 - UNMATING FORCE: 1.0KG MIN

DP21-0811-G61038

1:铁壳镀镍
G:半金G/Fu
6:LCP
3:载带
1:黑色



RECOMMENDED P.C.B. LAYOUT(PCB THICKNESS: 1.6mm)
COMPONENT SIDE VIEW(TOLERANCE: ±0.05)

TOLERANCE UNLESS OTHERWISE SPECIFIED		FLW 深圳市华联威电子科技有限公司				
.XXX ±0.10 .XX ±0.20 .X ±0.30		.X' ±3' .XX' ±2'		HUA LIAN WEI TECHNOLOGY ELECTRONICS CO.;LTD.		
APPROVED		PART NAME:	DP 卧式贴片			
CHECKED		PART No:	DP21-0811-G61038	C		
DRAWN	weihong	PROJECTION:	UNIT:	SCALE:	SHEET:	REV.
DATE	2021.11.06		mm	1:1	10F1	A