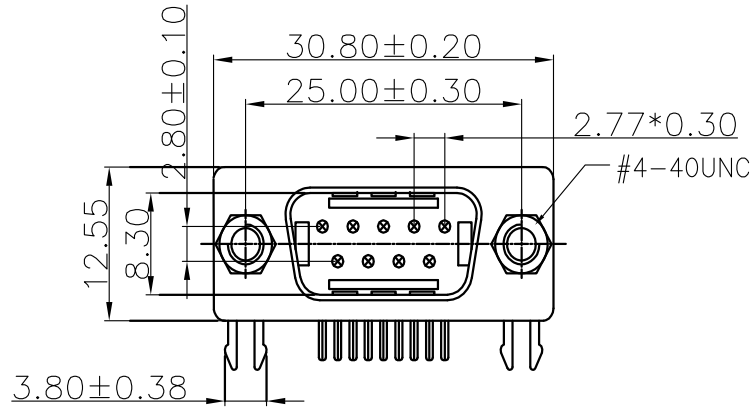
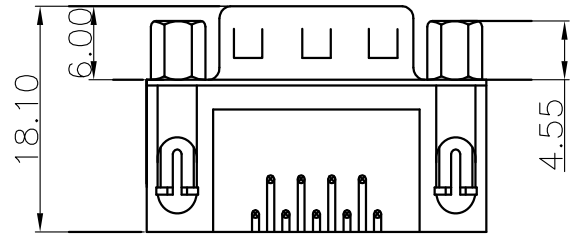
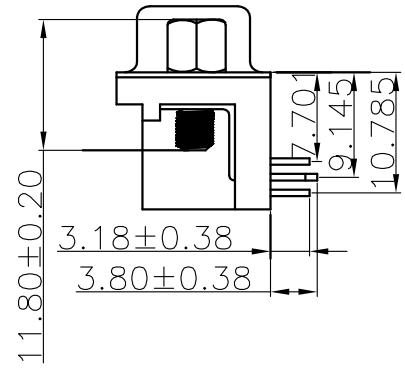


REV.	ECN.NO.	APPD.
AO	/	/



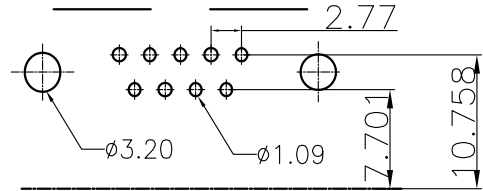
1.SPECIFICATION

- 2.1 Current Rate:5 Amps
- 2.2 Insulator Resistance:1000MΩ Min.
- 2.3 Dielectric Strength:500V AC PER MIN
- 2.4 Operation Temperature:-55°C~+105C°
- 2.5 Contact Resistance:30mΩ Max



DS111-0820-G2A8

G:半金G/Fu
A. 黑色
2. PBT



RECOMMENDED PCB LAYOUT
DIMENSION TOLERANCE: ±0.05

TOLERANCE UNLESS OTHERWISE SPECIFIED		FLW 深圳市华联威电子科技有限公司					
.XXX ±0.10 .XX ±0.20 .X ±0.30		.X' ±3' .XX' ±2'		HUA LIAN WEI TECHNOLOGY ELECTRONICS CO;LTD.			
APPROVED		PART NAME:	DR 9P 公叉锁4.55螺丝				
CHECKED		PART No:	DS111-0820-G2A8				C
DRAWN	chenyiting	PROJECTION:	UNIT:	SCALE	SHEET	REV.	
DATE	2022.10.09		mm	1:1	10F1	AO	