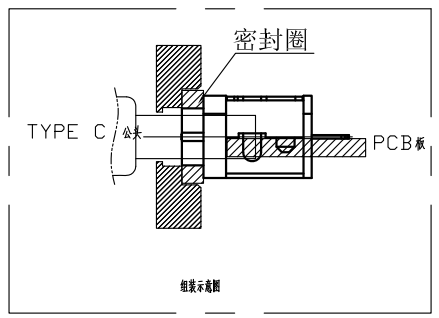
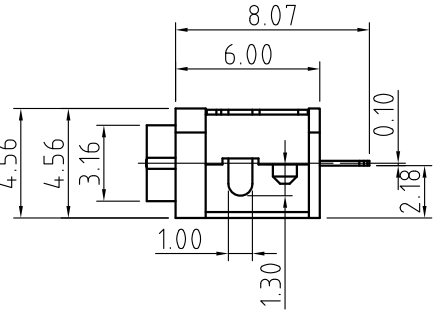
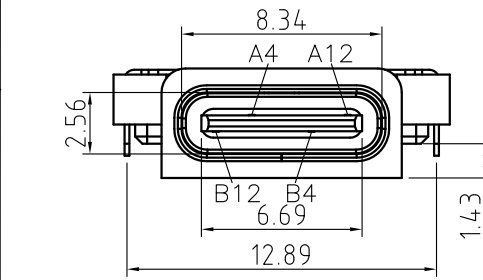
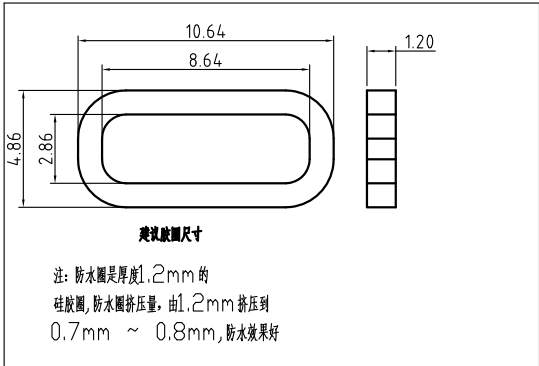
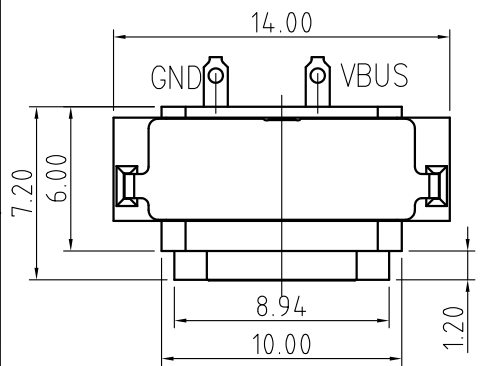
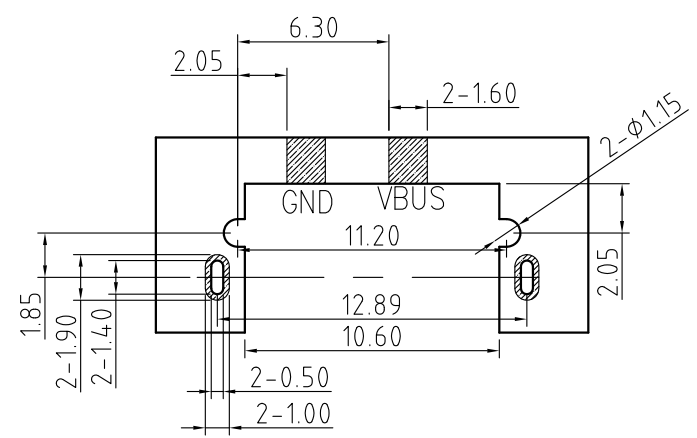
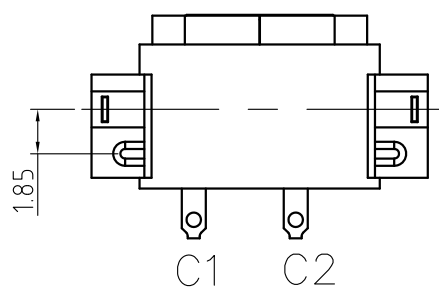


REV.	ECN.NO.	APPD.
A	EXXXXXXXXXX	yangguifeng



NOTES:
 1.MATERIAL:
 1.1 Housing:thermoplastic plastics
 1.2 terminals:Copper Alloy
 Gold plated in contact area:
 Tin plated in termination
 Nickel Plated overall
 1.3 Shell:Steel&Copper Alloy
 Nickel/Au Plated overall
 2.characteristics:
 2.1 Rating Voltage : 30V AC.
 2.2 Rating Current:
 5A for Vbus PIN;1.25A for Vconn PIN
 2.3 Contact Resistance:40 mΩ MAX.
 2.4 Insulation Resistance:100 MΩ MIN.
 2.5 Withstanding Voltage:AC 100V
 2.6 Mating force: 5~20N MAX
 2.7 Extraction force:8~20N Min
 2.8 Life test:10000Cycles MIN.
 2.9 Temperature Range: -30℃~+80℃.
 The product must be compliance ROHS

U578-241B-G61038
 B: 不锈钢镀镍
 G: 半金G/Fu
 3: 载带
 1: 黑色
 6: LCP



RECOMMENDED PCB LAYOUT(TOP VIEW)
 THICKNESS T=1.0mm
 DEFAULT TOLERANCE+/-0.05

INTERFACE(FRONT VIEW)

A1	A2	A3	A4	A5	A6	A7	A8	A9	A10	A11	A12
			VBUS								GND
GND											VBUS
B12	B11	B10	B9	B8	B7	B6	B5	B4	B3	B2	B1

PIN ASSIGNMENT

PIN NO.	A12&B12	A4&B4
SINGAL NAME	GND	VBUS
PCB PAD NO.	C1	C2

TOLERANCE UNLESS OTHERWISE SPECIFIED		FLW 深圳市华联威电子科技有限公司			
.XXX ±0.10 .XX ±0.20 .X ±0.30		.X' ±3' .XX' ±2'		HUA LIAN WEI TECHNOLOGY ELECTRONICS CO;LTD.	
APPROVED		PART NAME:	TYPE C 2P 沉板SMT1.43母座		
CHECKED		PART No:	U578-241B-G61038	C	
DRAWN	yangguifeng	PROJECTION:	UNIT:	SCALE	SHEET
DATE	2021.12.01		mm	1:1	1 OF 1
				REV.	A

由 Autodesk 教育版产品制作

由 Autodesk 教育版产品制作